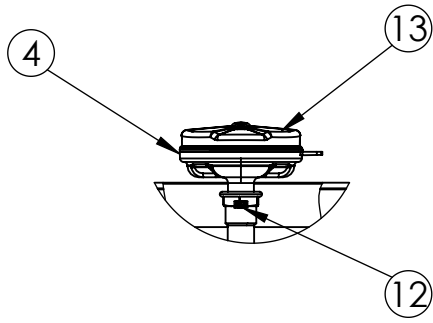
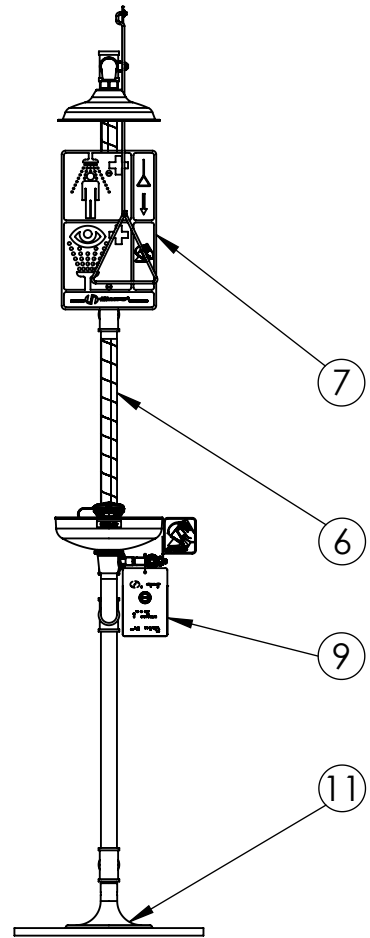
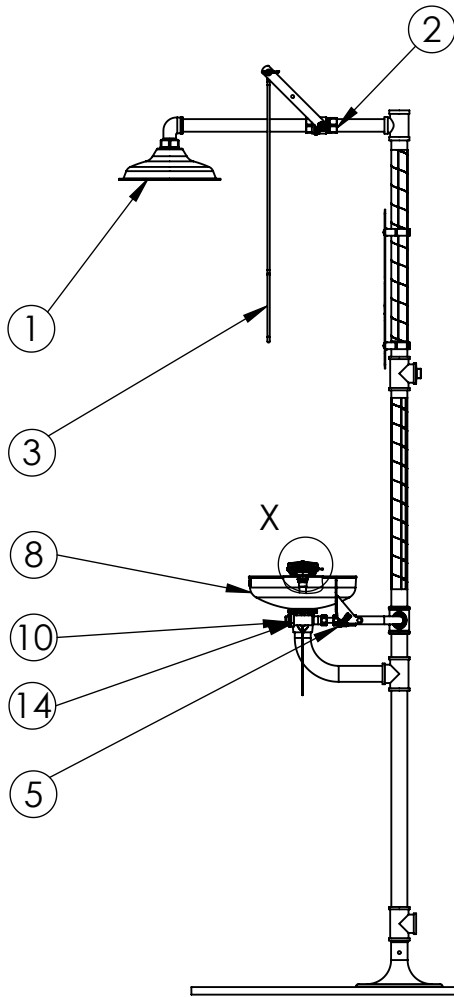




PARTS BREAKDOWN



X (1 : 5)

ITEM	PART No.	DESCRIPTION
1	SP829	Axion Shower Head
2	SP260	Valve Assembly
3	SP200	Pull Rod
4	SP65	Axion Eye/Face Wash Head
5	SP225	Valve Assembly
6	SP185	Stripe Tape
7	SP178	Shower Sign
8	SP93	Bowl
9	SP170	Test Tag
10	SP509	Strainer
11	SP75	Floor Flange
12	SP37.5	Flow Control
13	SP9091	Dust Cover
14	VRKEWSTR	Repair Kit for SP509



A	updated and actualized		03.01.2017	busi
REV	DESCRIPTION	ECN NO.	DATE	BY
REVISIONS				
CATEGORY ASSEMBLY DRAWING		MATERIAL -		TITLE 8320Axion
		SURFACE	WEIGHT (kg)	SPECIFICATION Combination Shower and Eye/Face Wash
		APPROVALS	DATE	
		MODELLED	29.02.2016	PART NO. 10004820
		DRAWN	29.02.2016	
REVISED	03.01.2017	SIZE A4		
CHECKED	15.02.2019		DOCUMENT NO. 0017220	
T +41 (0)34 420 60 00 F +41 (0)34 420 60 01		BACHWEG 3 CH3401 BURGDORF SWITZERLAND		www.haws.ch info@haws.ch
THIS DOCUMENT AND THE DATA DISCLOSED HEREIN OR HEREWITH IS NOT TO BE REPRODUCED, USED, OR DISCLOSED IN WHOLE OR IN PART TO ANYONE WITHOUT THE PERMISSION OF HAWS CORPORATION.				
SCALE 1:20		 SHEET 2 OF 2		REV. A
General tolerances ISO 2768-mK				