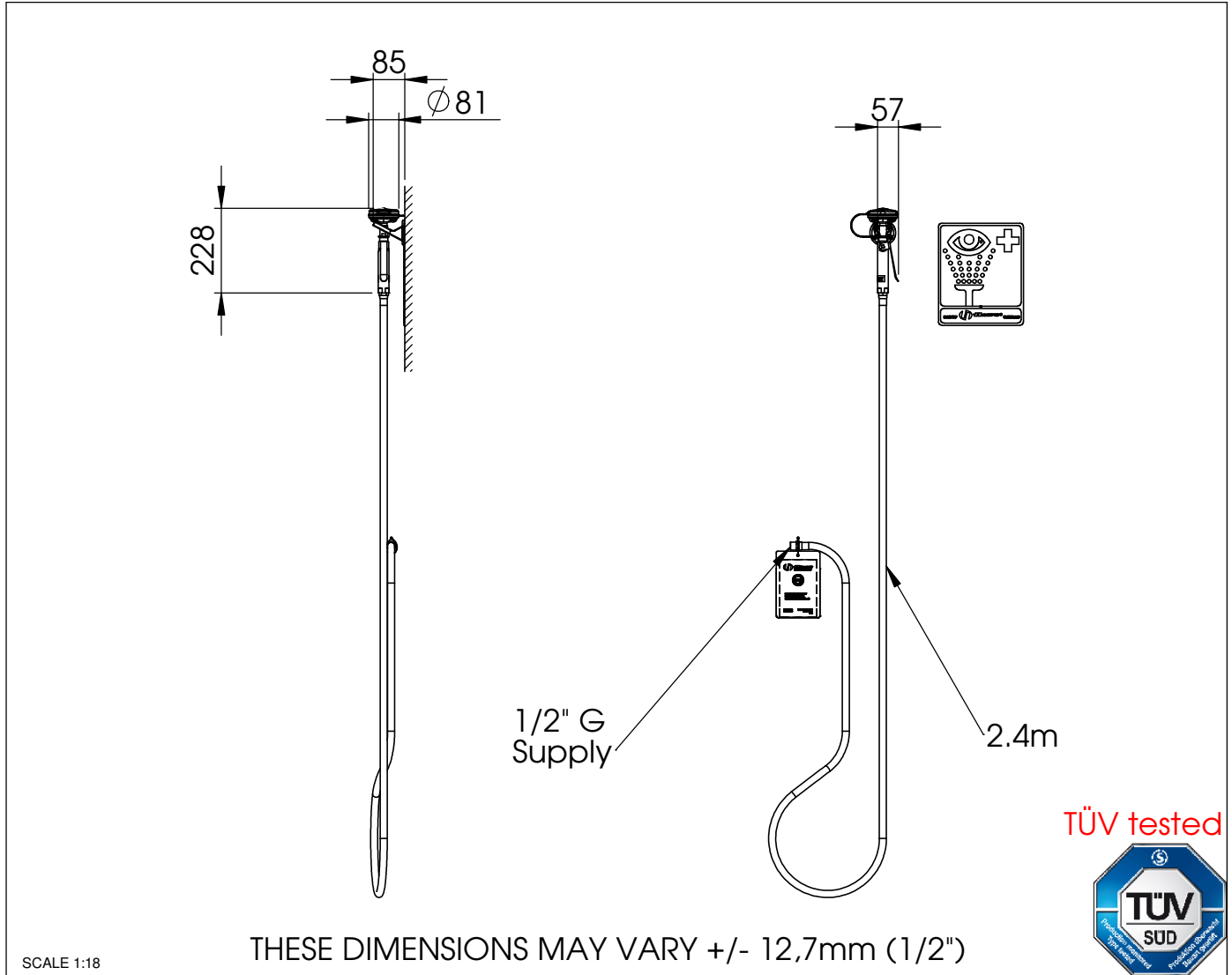


Model 8901B Axion Eye/Face Wash and Body Spray No.2080191/3

NOTE TO INSTALLER: please leave this information with the maintenance department.



Free access to the eye/facewash & body spray 8901B Axion must be guaranteed at all times.
The operator is responsible for the observance of this requirement.



Model **8901B Axion** Eye/Face Wash and Body Spray No.2080191/3

Shower location: The eye/facewash & body spray 8901B Axion must be installed in the vicinity of potential danger zones. It must be highly visible and easily accessible.

Connection conduit: You are recommended to use a 1/2" G conduit, capable of withstanding pressures of 2 - 6BAR (30 - 90PSI). The use of an inlet filter designed to prevent the entry of suspended particles and other impurities is also recommended.

Water quality: Eye/facewash & body spray require a supply of drinking water conforming to European standards or their equivalents in other countries.

Water temperature: The required water temperature should be determined by the user. The accepted ideal range is 15 - 35°C / 60 - 95°F (but please ensure conformity with local regulations).

Volum flow: A minimum flow rate of 6 litres / 1,6 US gallons per minute must be maintained. The eye/facewash & body spray must be capable of delivering this amount of water for at least 15 minutes.

Connection to plumbing system: The inlet consists of a 1/2" G male-threaded conduit.

Regular inspection:

The eye/facewash & body spray 8901B Axion should be inspected at weekly intervals. The inspection tag should be dated and signed after each check.

TROUBLESHOOTING	
Problem	Repair-checklist
1. No flow	Check the main shutoff valve.
2. Insufficient flow of water	<ol style="list-style-type: none">1. Check the line pressure. This should be at least 2BAR / 30PSI (dynamic).2. Blocked flow, possibly due to the conduit not being correctly flushed out. Dismantle the spray element, and clean the rubber flow-regulator.