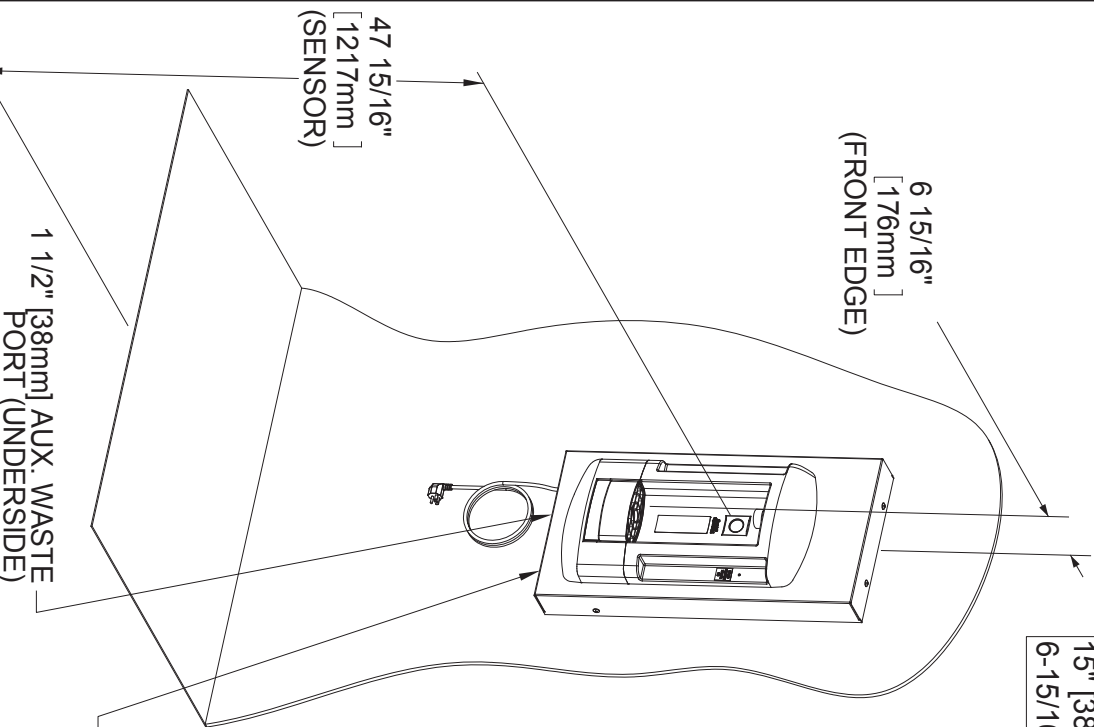


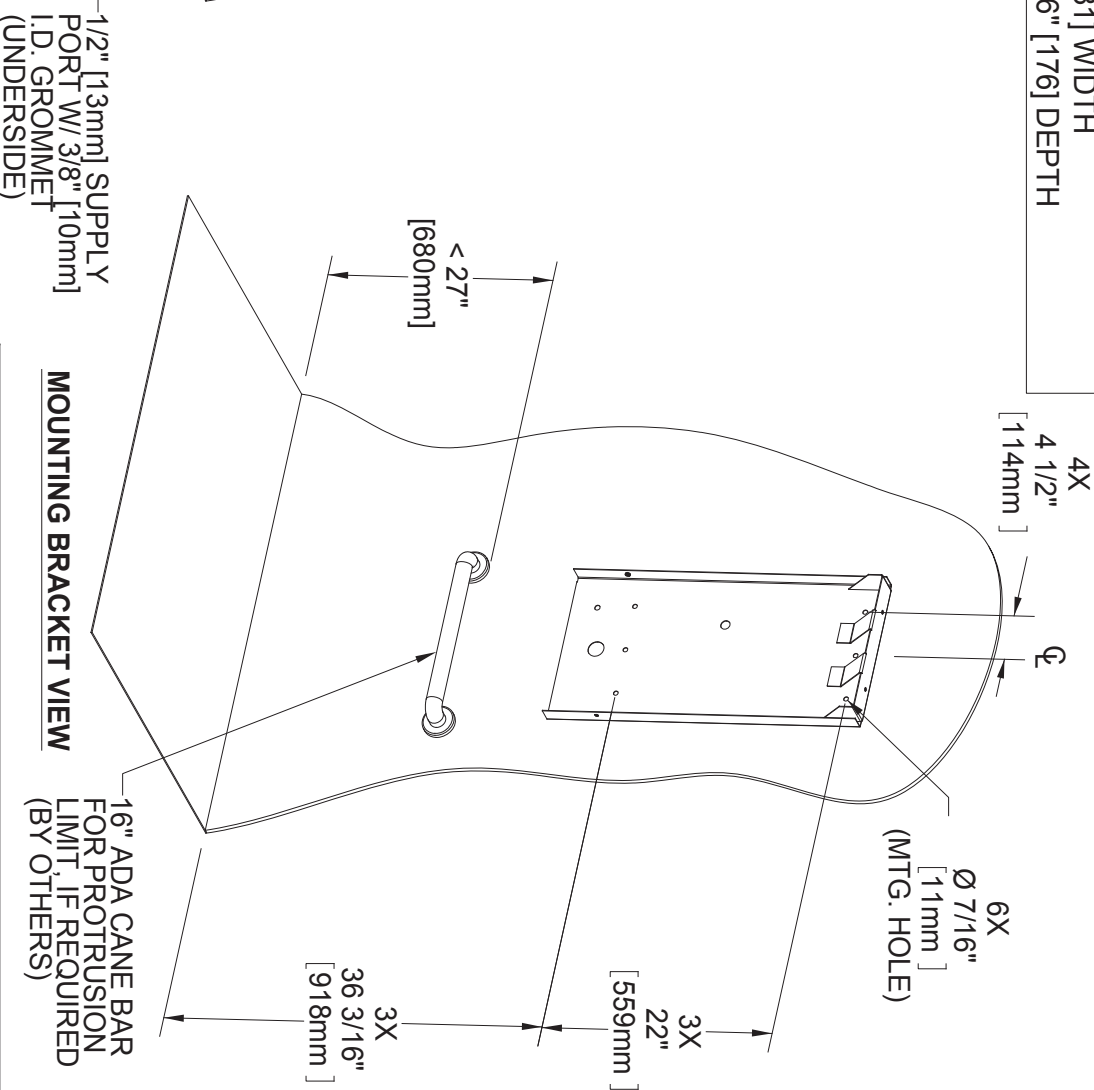
THIS DOCUMENT IS TRUE AND CORRECT AT TIME OF PUBLICATION. CONTINUED PRODUCT IMPROVEMENTS MAKE SPECIFICATIONS AND MEASUREMENTS SUBJECT TO CHANGE WITHOUT NOTICE.

DIMENSIONS OUTSIDE OF WALL:

30-1/4" [768] HEIGHT
 15" [381] WIDTH
 6-15/16" [176] DEPTH



FRONT VIEW



MOUNTING BRACKET VIEW



Haws
 MODEL(S)
 2000SMS

1455 KLEPPE LANE
 SPARKS, NEVADA, 89431
 (775) 399-4712 FAX (775) 399-7424
 E-MAIL: HAWS@HAWSCO.COM
 WEBSITE: WWW.HAWSCO.COM

ENGINEER	DESIGNED BY	DATE	SCALE	N/A	DRAWING TYPE	INSTALLATION	SIZE	A	SHEET	1	OF	2
DRAWN	DATE	DATE	SCALE	N/A	DRAWING TYPE	INSTALLATION	SIZE	A	SHEET	1	OF	2
APPROVED	DATE	DATE	SCALE	N/A	DRAWING TYPE	INSTALLATION	SIZE	A	SHEET	1	OF	2
HAWS BOTTLE FILLER PART NUMBER 0510000664.D REVISION 1												