

FEATURES & BENEFITS

QUALITY CONTROL

Fully assembled and tested for quick placement and hook-up.

STANDARDIZED PLATFORM

Offering a standardized line of water tempering solutions providing shorter lead times, advanced compliance, cost efficiencies, and customizable configuration options.

BLENDING SYSTEM

Safe, fully engineered thermostatic mixing valve for mixing large volumes of hot and cold water guarded with anti-scald protection and full flow cold water bypass to provide tempered water in adverse situations.

TANK SYSTEM OPTIONS

Tanks available: 119 Gal non-ASME (450 L), 120 Gal (454 L) ASME, or 200 Gal (757 L) ASME that will store enough hot water to provide a single 15 minute shower and eye/face wash use. Also available in ASME is a 318 Gal (1203 L) or 400 Gal (1514 L) that stores enough hot water to provide two 15 minute shower and eye/face wash uses before tank recovery is required.

EXPANDABLE/FLEXIBLE CAPABILITIES

System can be designed to a number of variations including the hot water supply, the electrical type, the blending capabilities, and pump options including VFD controlled pump.

ELECTRICAL SYSTEM OPTIONS

Haws provides systems at various voltage options, including 480V 3ph, 600V 3ph, 208V 1ph, 208V 3ph, 240V 1ph, and 240V 3ph. Electrical area rating option includes Type 4 Ordinary Location.



SPECIFICATIONS

Model 8785 enclosed tempering system shall include an all-weather 5' x 5' (1.52 x 1.52m) booth which provides optional operating temperature ranges of -50° to 120° F (-45.5° to 49.8° C), and is constructed of corrosion resistant aluminum paneling with polyester based powder coating. This single or multiple shower and/or eyewash tempering water unit with galvanized piping is designed to operate with a number of tempering and electrical options. Standard hook-up is a 480V, three phase inlet inside a NEMA 4 enclosure. The internal booth temperature can be maintained by an optional space heater. The tank water temperature is maintained by an immersion heater. The electrical system can be easily adapted to voltages upon request. The 8785 tempering booth utilizes the Haws Tempered Water Blending System to provide tempered water under dire situations, and incorporates fail-safe features like anti-scald protection and full flow cold water bypass in the event of hot water failure. 1-1/2" tepid and cold water inlets.

APPLICATIONS

Perfect for outdoor facilities that may encounter dangerous chemical hazards and need a complete tempering system, and/or need a feeder to other remote booth substations or other drench systems and/or eyewash stations.

OPTIONS

Optional equipment to accommodate virtually any specific need includes:

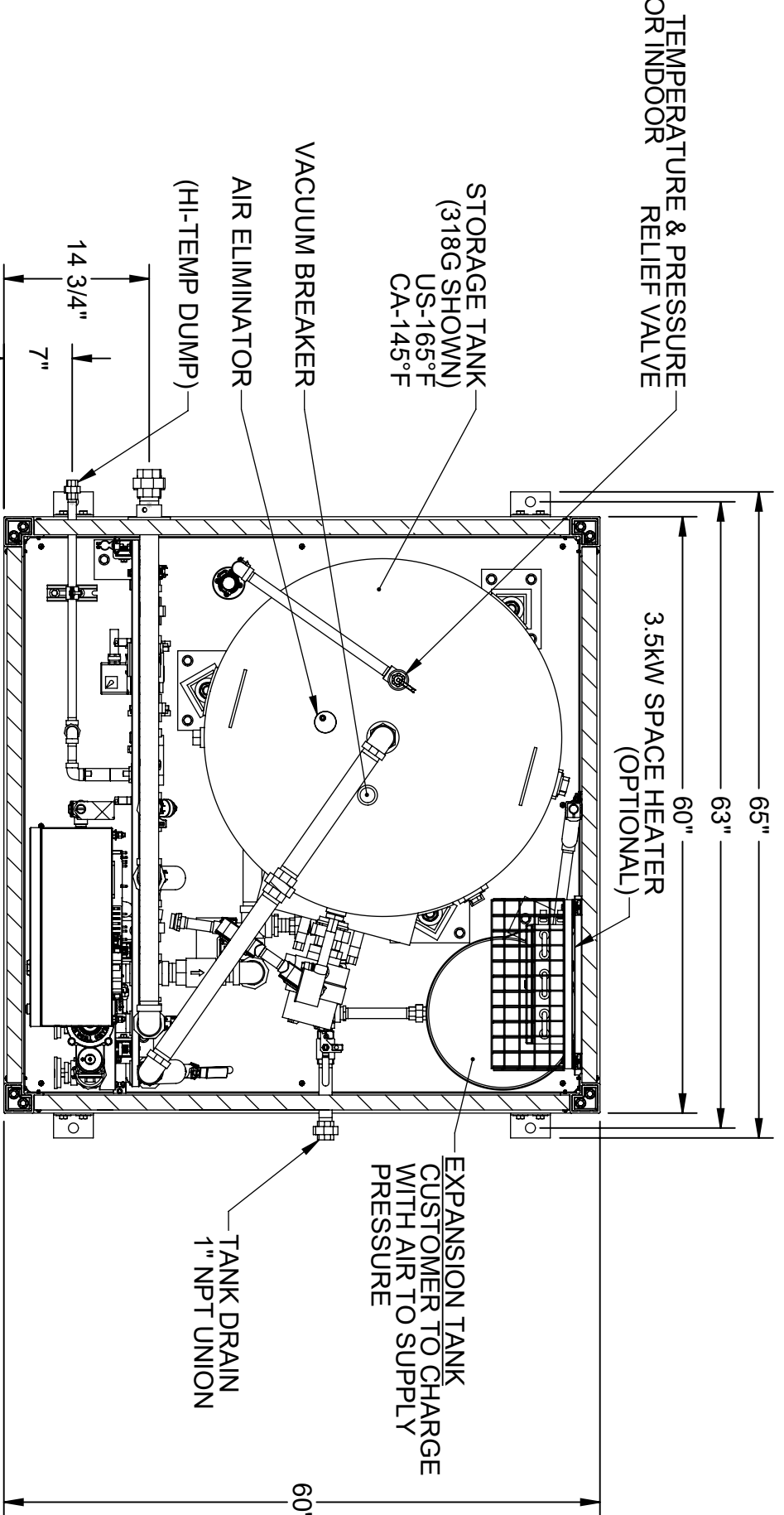
- Temperature control packages including 4 or 10 kW immersion heaters, integrated space heater
- Alarm package
- Stainless steel valves and/or piping
- Recirculation pump or booster/recirc pump

For more information, visit www.hawsc.com or call (888) 640-4297.

MODELS WITH RECIRCULATION PUMP OR NO PUMP

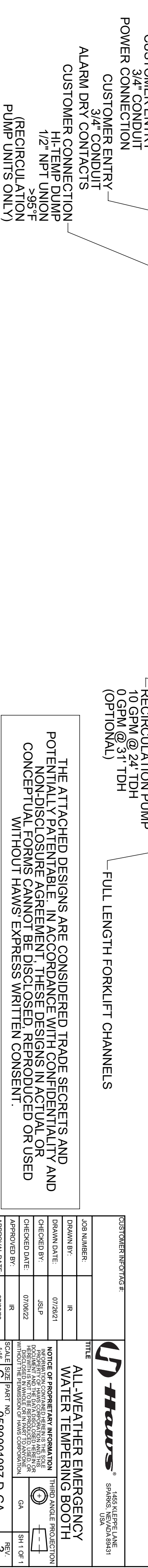
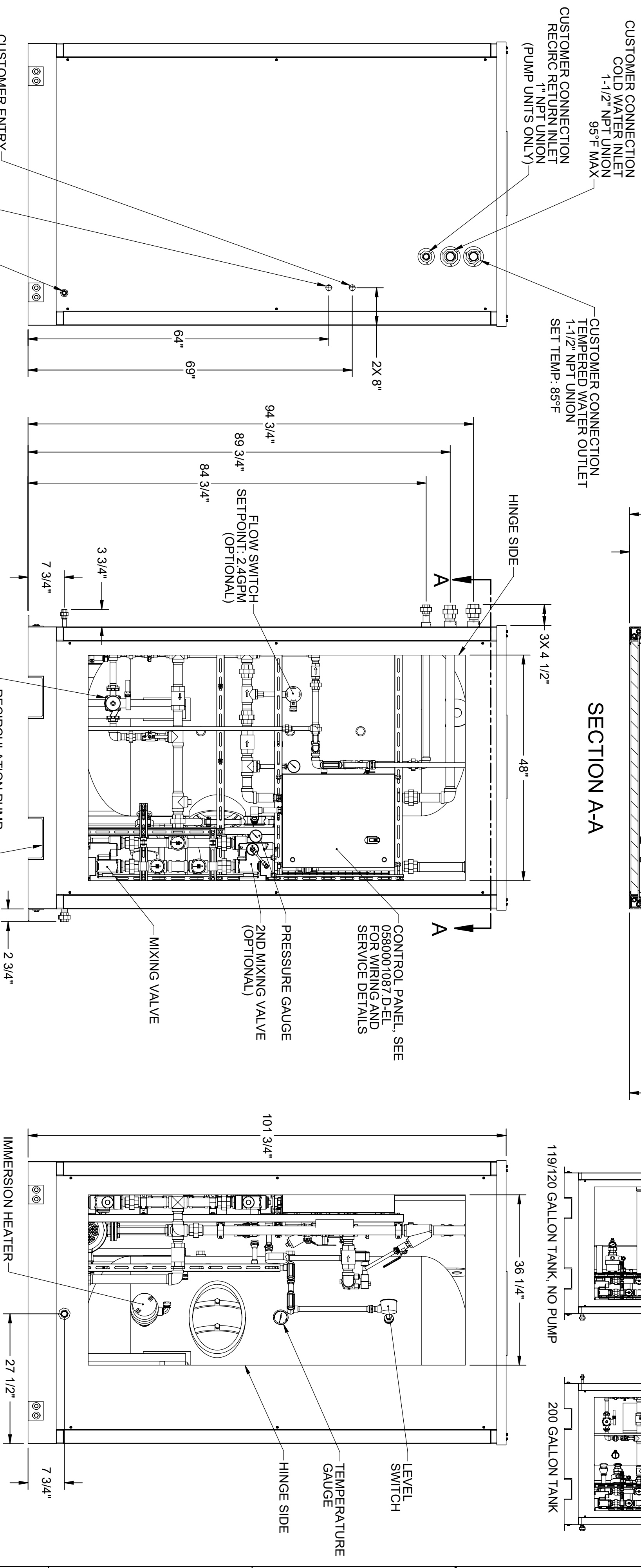
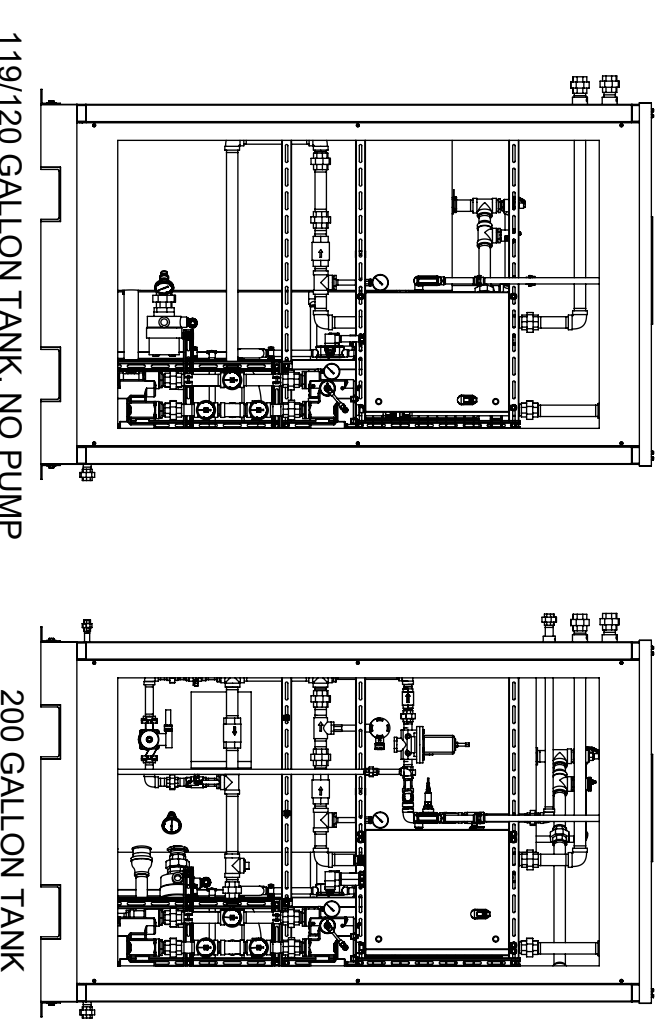
- NOTES:
1. DIMENSIONS IN INCHES.
 2. ALL TOLERANCES: $\pm 1/2"$
 3. ESTIMATED WEIGHT:
 4. DRY: 1300 LB
WET: 4000 LB
 5. AREA CLASSIFICATION: ORDINARY
 6. AVAILABLE AMBIENT TEMPERATURE RANGES:
-50°F -104°F, 32°F -104°F
 7. RATINGS: CONFIGURABLE WITH TYPE 4/4X JUNCTION BOX FOR INDOOR OR OUTDOOR LOCATION
 8. NOT ALL FEATURES ARE STANDARD

OPTIONS		DWG REF.
PUMP CONFIGURATION	NO PUMP	P5-0
JUNCTION BOX TYPE RATING	RECIRCULATION PUMP	P5-1
	TYPE 4, STEEL	P7-0
	TYPE 4X, 304 SST	P7-1
ALARM (IN USE)	NONE	-
	ISOLATED DRY CONTACTS	P12-3
MIXING VALVE QTY.	SINGLE	P30-1
	DUAL	P30-2
EXPANSION TANK	NON-ASME	P10-T
	ASME	P10-A/E



TANK SIZE			
TANK SIZE	TANK TEMP.	SHOWER CAPACITY (15 MIN.)	MINIMUM INLET TEMP. OPTION SELECTED
119G	145°F	1	62°F
119G	165°F	1	54°F
120G	145°F	1	62°F
120G	165°F	1	54°F
200G	145°F	1	35°F
200G	165°F	1	32°F
318G	145°F	2	50°F
318G	165°F	2	39°F
400G	145°F	2	35°F
400G	165°F	2	32°F
			N/A

(TANK TEMPERATURES ARE SET AT 165°F FOR USA AND 145°F FOR CANADA)



THE ATTACHED DESIGNS ARE CONSIDERED TRADE SECRETS AND POTENTIALLY PATENTABLE. IN ACCORDANCE WITH CONFIDENTIALITY AND NON-DISCLOSURE AGREEMENT, THESE DESIGNS IN ACTUAL OR CONCEPTUAL FORMS CANNOT BE DISCLOSED, REPRODUCED OR USED WITHOUT HAWS EXPRESS WRITTEN CONSENT.

CUSTOMER INFO/TAGS#:		JOB NUMBER: IR	
DRAWN BY: JSLP		DRAWN DATE: 07/26/21	
CHECKED BY: IR		CHECKED DATE: 07/06/22	
APPROVED BY: IR		APPROVAL DATE: 07/06/22	
SCALE SIZE (PART NO. 0580001087.D-GA)		TITLE: ALL-WEATHER EMERGENCY WATER TEMPERING BOOTH	

NOTICE OF PROPRIETARY INFORMATION: HAWES COMPANY PROPRIETARY INFORMATION IS THE SOLE PROPERTY OF HAWES COMPANY AND IS NOT TO BE REPRODUCED OR TRANSMITTED IN ANY FORM OR BY ANY MEANS, ELECTRONIC OR MECHANICAL, INCLUDING PHOTOCOPYING, RECORDING, OR BY ANY INFORMATION STORAGE AND RETRIEVAL SYSTEM. HAWES COMPANY ASSUMES NO LIABILITY FOR THE USE OF THIS INFORMATION IN ANY MANNER.

THIRD ANGLE PROJECTION
GA
SH 1 OF 1
REV. 3

MODELS WITH VFD RECIRC/BOOSTER PUMP

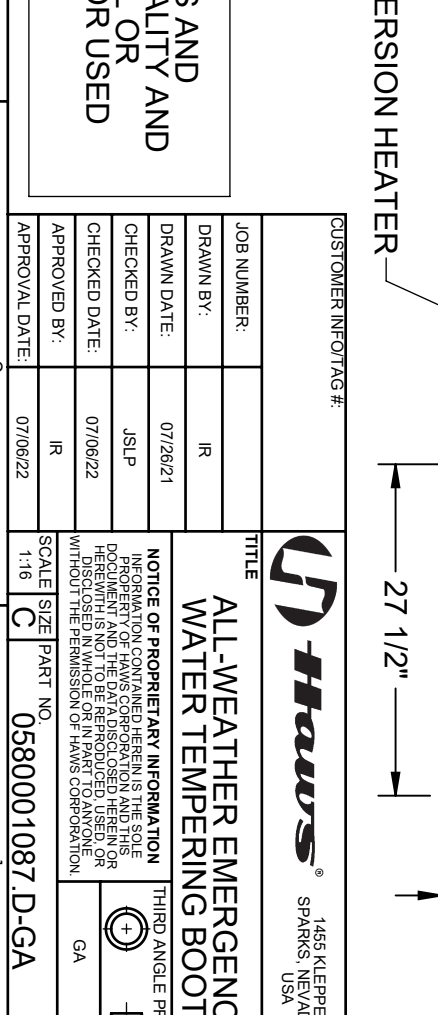
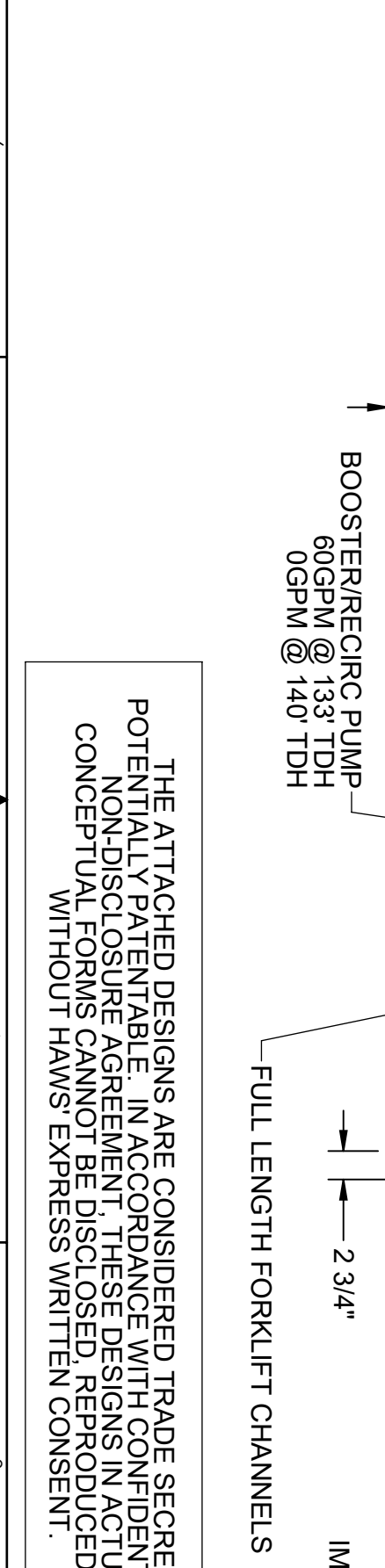
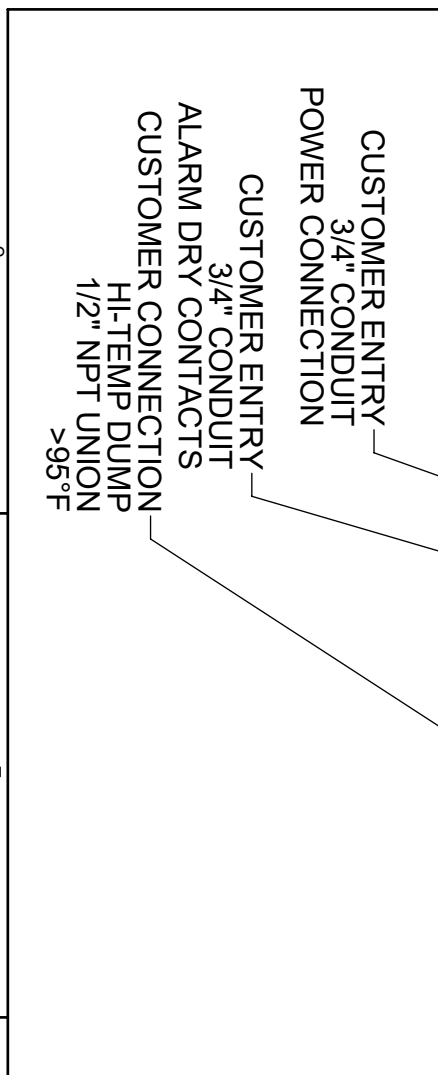
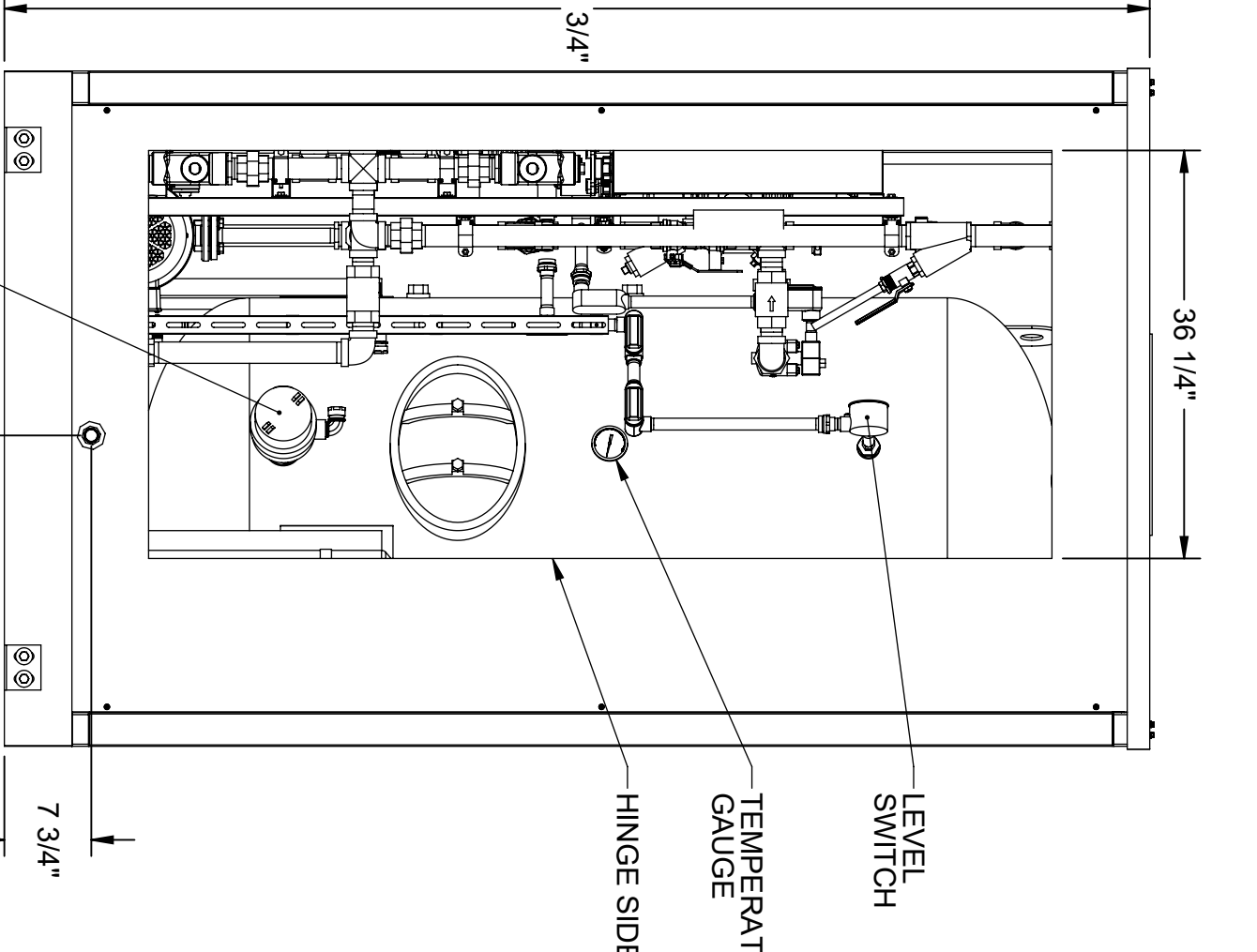
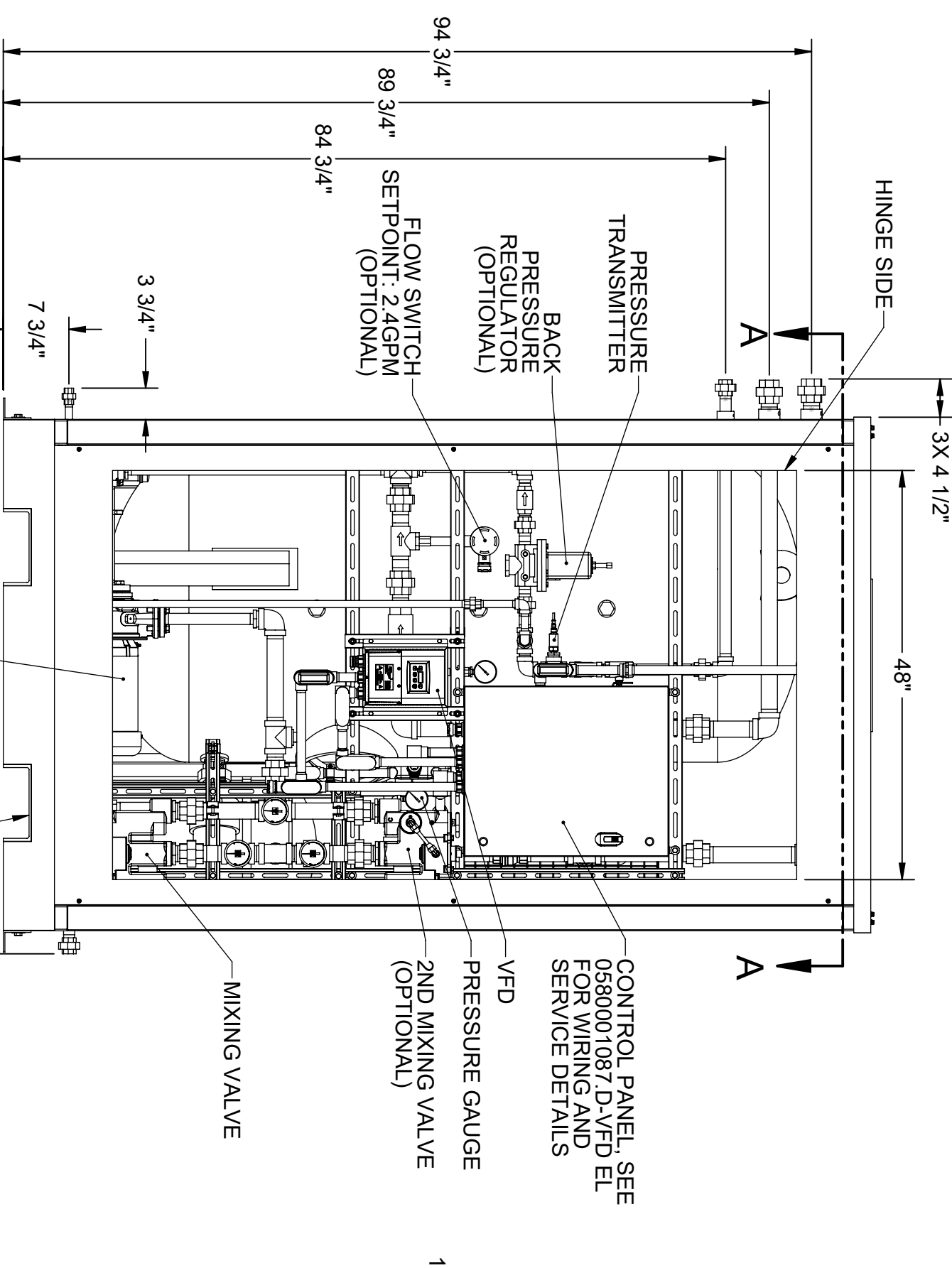
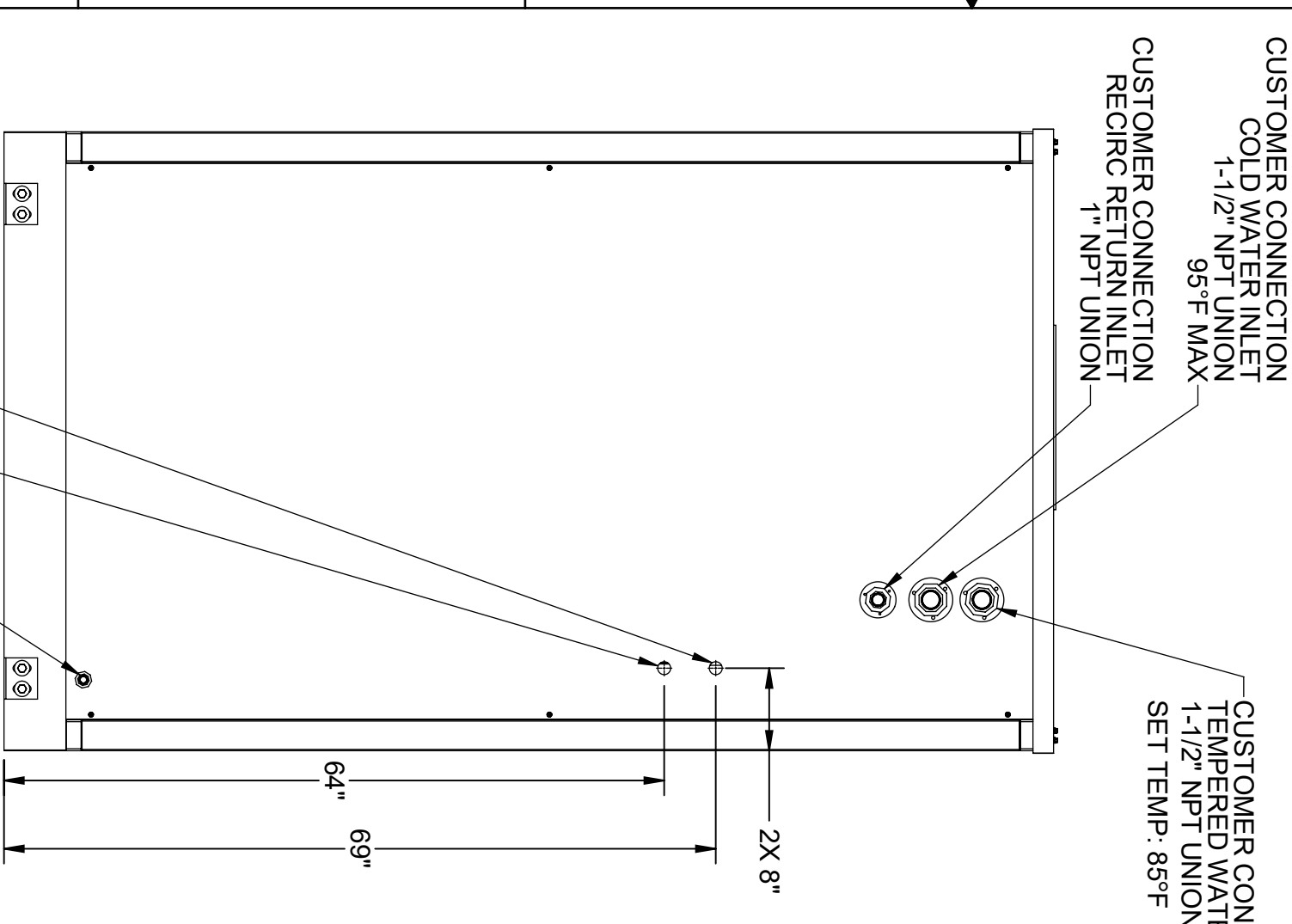
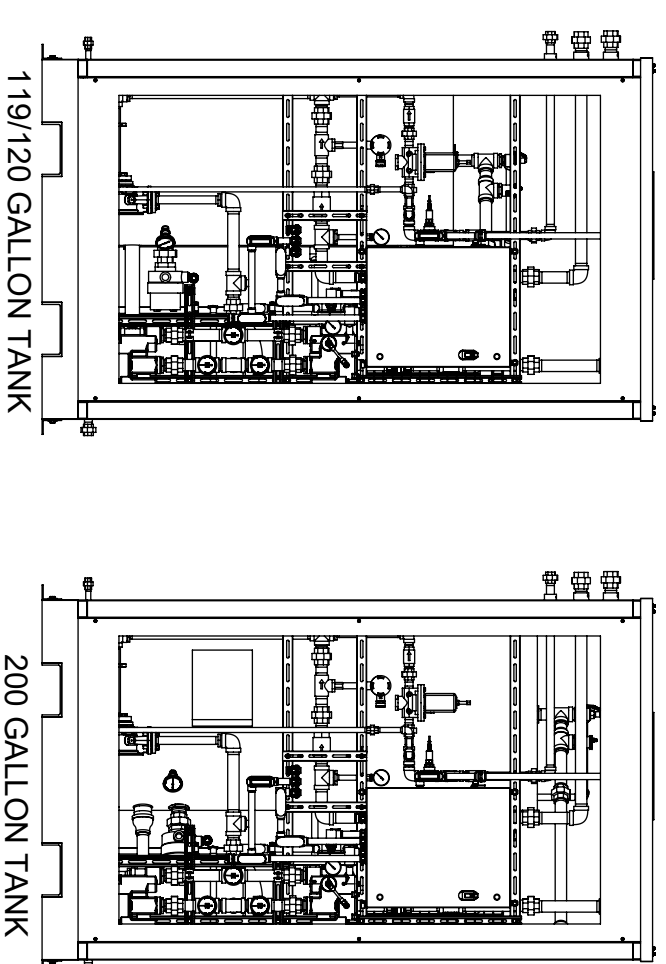
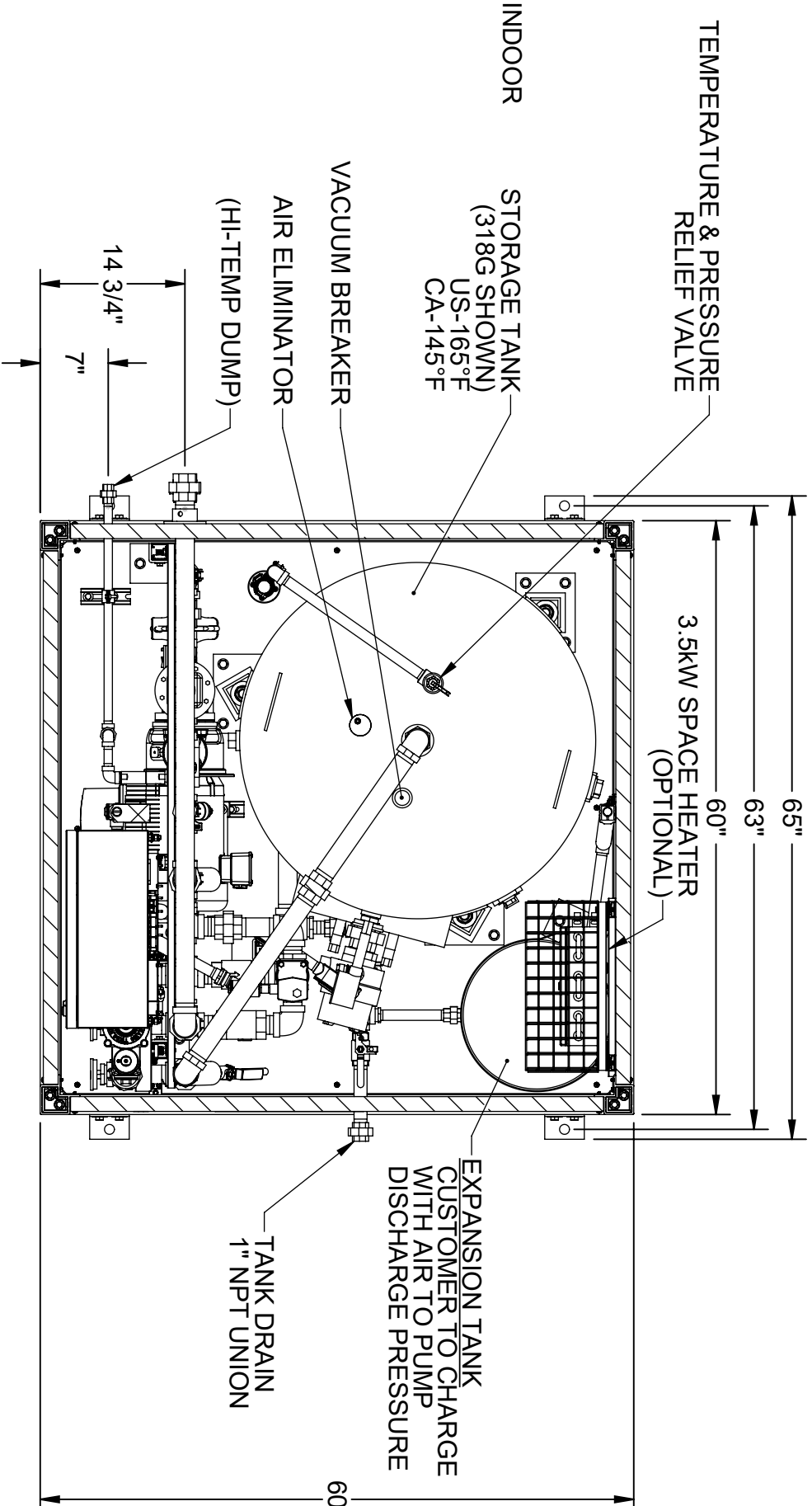
REV	DESCRIPTION	ECON	DATE	BY
3	INITIAL RELEASE	SR17	6/9/22	IR

TANK SIZE

TANK SIZE	TANK TEMP.	SHOWER CAPACITY (15 MIN.)	MINIMUM INLET TEMP.	OPTION SELECTED
119G	145°F	1	62°F	
119G	165°F	1	54°F	
120G	145°F	1	62°F	
120G	165°F	1	54°F	
200G	145°F	1	35°F	
200G	165°F	1	32°F	
318G	145°F	2	50°F	
318G	165°F	2	39°F	
400G	145°F	2	35°F	
400G	165°F	2	32°F	N/A

OPTIONS	DWG REF.
PUMP CONFIGURATION	P5-3
JUNCTION BOX TYPE RATING	P7-0
ALARM (IN USE)	P12-3
MIXING VALVE QTY.	P30-1 P30-2

- NOTES:
- DIMENSIONS IN INCHES.
 - ALL TOLERANCES: $\pm 1/2"$
 - ESTIMATED WEIGHT:
 - NET: 4000 LB
DRY: 1300 LB
 - AREA CLASSIFICATION: ORDINARY
 - AVAILABLE AMBIENT TEMPERATURE RANGES:
 - NOT ALL FEATURES ARE STANDARD
 - RECOMMENDED RECIRCULATION FLOWRATE: 10GPM
 - PRESSURE TRANSMITTER SETPOINT IS TYPICALLY SET TO 30PSI + ELEVATION CHANGE FROM SKID TO HIGHEST SHOWER (1FT = .433PSI)
 - A BACK PRESSURE REGULATOR IS REQUIRED FOR THE FOLLOWING CONDITION: SUPPLY PRESSURE < 30PSI + ELEVATION CHANGE FROM SKID TO HIGHEST SHOWER RATING; CONFIGURABLE WITH TYPE 4/4X JUNCTION BOX FOR INDOOR OR OUTDOOR LOCATION

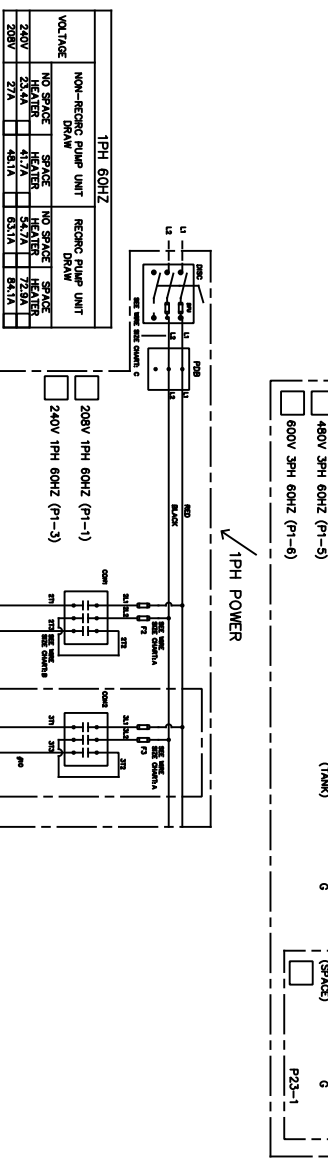
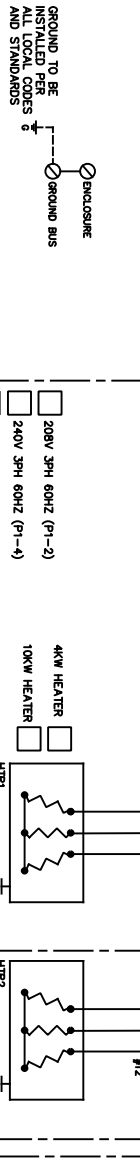
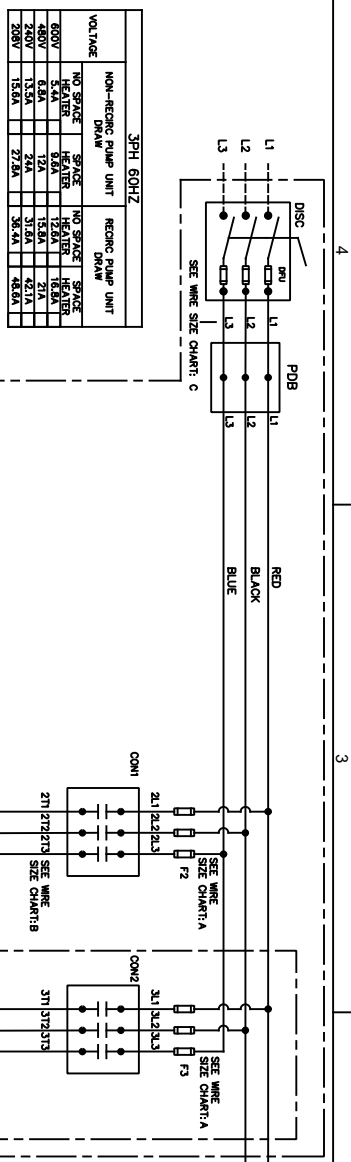


THE ATTACHED DESIGNS ARE CONSIDERED TRADE SECRETS AND POTENTIALLY PATENTABLE. IN ACCORDANCE WITH CONFIDENTIALITY AND NON-DISCLOSURE AGREEMENT, THESE DESIGNS IN ACTUAL OR CONCEPTUAL FORMS CANNOT BE DISCLOSED, REPRODUCED OR USED WITHOUT HAWS EXPRESS WRITTEN CONSENT.

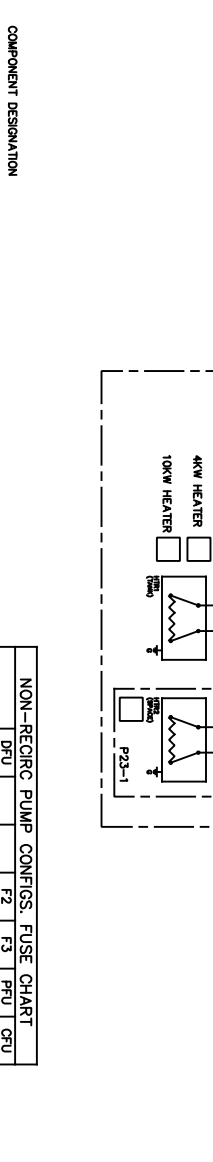
JOB NUMBER: IR		TITLE: ALL-WEATHER EMERGENCY WATER TEMPERING BOOTH	
DRAWN BY: 07/26/21	DRAWN DATE: JSLP	NOTICE OF PROPRIETARY INFORMATION: THIS DRAWING IS THE SOLE PROPERTY OF HAWS CORPORATION. IT IS TO BE USED ONLY FOR THE PROJECT AND THE DATE AND PROJECT IDENTIFIED HEREIN. IT IS NOT TO BE REPRODUCED, COPIED, OR TRANSMITTED IN ANY FORM OR BY ANY MEANS, WITHOUT THE WRITTEN PERMISSION OF HAWS CORPORATION.	
CHECKED BY: 07/06/22	CHECKED DATE: IR	SCALE: 1/8" = 1'-0"	THIRD ANGLE PROJECTION
APPROVED BY: 07/06/22	APPROVED DATE: IR	SCALE SIZE: PART NO. 0580001087.D-GA	SH-1 OF 1



REV	DESCRIPTION	DATE	BY
1	REVISED	01/11/2022	SP



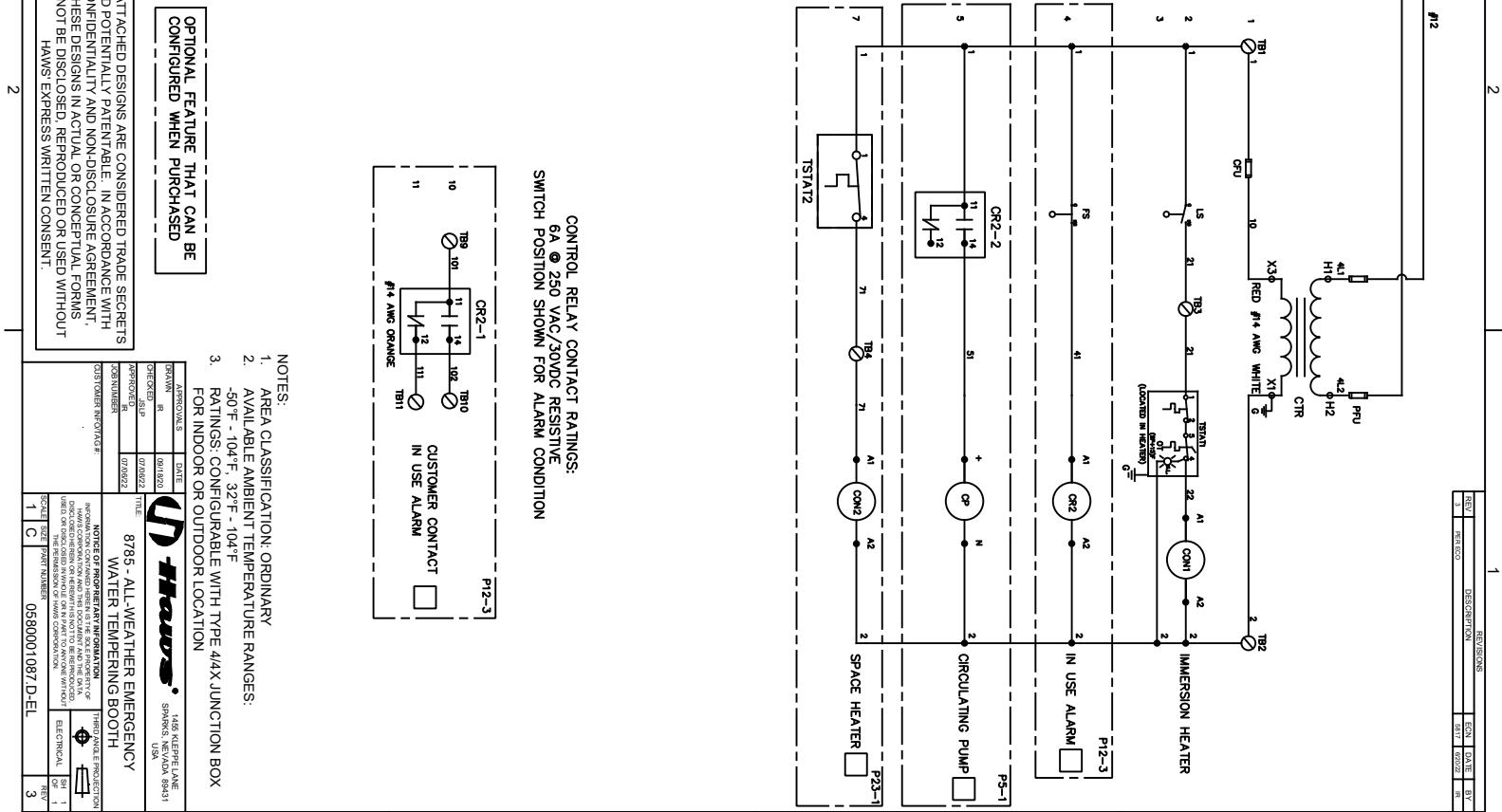
VOLTAGE	NO SPACE HEATER DRAW	SPACE HEATER DRAW	NO SPACE HEATER DRAW	SPACE HEATER DRAW
208V	23.5A	47.1A	46.1A	46.1A
240V	15.6A	27.5A	26.5A	26.5A



COMPONENT DESIGNATION	DESCRIPTION
GRU	CONTROL POWER FUSE
GRV	CONTROL POWER FUSE
CON2	CONTACTOR 3 POLE, SPACE HEATER
CP	CIRCULATING PUMP
CR2	CONTROL RELAY FOR ALARM NOTIFICATION
CR1	CONTROL POWER TRANSFORMER
RECIRC PUMP CONFIGS	500VA @ 120V
DISC	DISCONNECT SWITCH
F2	TANK HEATER FUSE
F3	SPACE HEATER FUSE
HTRI	HEATER, TANK
HTR1	HEATER, TANK
HTR2	HEATER, TANK
HTR3	HEATER, TANK
HTR4	HEATER, TANK
HTR5	HEATER, TANK
HTR6	HEATER, TANK
HTR7	HEATER, TANK
HTR8	HEATER, TANK
HTR9	HEATER, TANK
HTR10	HEATER, TANK
HTR11	HEATER, TANK
HTR12	HEATER, TANK
HTR13	HEATER, TANK
HTR14	HEATER, TANK
HTR15	HEATER, TANK
HTR16	HEATER, TANK
HTR17	HEATER, TANK
HTR18	HEATER, TANK
HTR19	HEATER, TANK
HTR20	HEATER, TANK
HTR21	HEATER, TANK
HTR22	HEATER, TANK
HTR23	HEATER, TANK
HTR24	HEATER, TANK
HTR25	HEATER, TANK
HTR26	HEATER, TANK
HTR27	HEATER, TANK
HTR28	HEATER, TANK
HTR29	HEATER, TANK
HTR30	HEATER, TANK
HTR31	HEATER, TANK
HTR32	HEATER, TANK
HTR33	HEATER, TANK
HTR34	HEATER, TANK
HTR35	HEATER, TANK
HTR36	HEATER, TANK
HTR37	HEATER, TANK
HTR38	HEATER, TANK
HTR39	HEATER, TANK
HTR40	HEATER, TANK
HTR41	HEATER, TANK
HTR42	HEATER, TANK
HTR43	HEATER, TANK
HTR44	HEATER, TANK
HTR45	HEATER, TANK
HTR46	HEATER, TANK
HTR47	HEATER, TANK
HTR48	HEATER, TANK
HTR49	HEATER, TANK
HTR50	HEATER, TANK
HTR51	HEATER, TANK
HTR52	HEATER, TANK
HTR53	HEATER, TANK
HTR54	HEATER, TANK
HTR55	HEATER, TANK
HTR56	HEATER, TANK
HTR57	HEATER, TANK
HTR58	HEATER, TANK
HTR59	HEATER, TANK
HTR60	HEATER, TANK
HTR61	HEATER, TANK
HTR62	HEATER, TANK
HTR63	HEATER, TANK
HTR64	HEATER, TANK
HTR65	HEATER, TANK
HTR66	HEATER, TANK
HTR67	HEATER, TANK
HTR68	HEATER, TANK
HTR69	HEATER, TANK
HTR70	HEATER, TANK
HTR71	HEATER, TANK
HTR72	HEATER, TANK
HTR73	HEATER, TANK
HTR74	HEATER, TANK
HTR75	HEATER, TANK
HTR76	HEATER, TANK
HTR77	HEATER, TANK
HTR78	HEATER, TANK
HTR79	HEATER, TANK
HTR80	HEATER, TANK
HTR81	HEATER, TANK
HTR82	HEATER, TANK
HTR83	HEATER, TANK
HTR84	HEATER, TANK
HTR85	HEATER, TANK
HTR86	HEATER, TANK
HTR87	HEATER, TANK
HTR88	HEATER, TANK
HTR89	HEATER, TANK
HTR90	HEATER, TANK
HTR91	HEATER, TANK
HTR92	HEATER, TANK
HTR93	HEATER, TANK
HTR94	HEATER, TANK
HTR95	HEATER, TANK
HTR96	HEATER, TANK
HTR97	HEATER, TANK
HTR98	HEATER, TANK
HTR99	HEATER, TANK
HTR100	HEATER, TANK

RECIRC PUMP CONFIGS, FUSE CHART	DFU	F2	F3	PFU	CFU
208V 1PH 100A	60A	25A	25A	1.25A	1A
240V 1PH 100A	60A	25A	25A	1.25A	1A
208V 3PH 60A	30A	12A	12A	1.25A	1A
240V 3PH 60A	30A	12A	12A	1.25A	1A
208V 3PH 30A	15A	6A	6A	.5A	1A
240V 3PH 30A	15A	6A	6A	.5A	1A
600V 3PH 30A	12A	5A	5A	.5A	1A
FUSE TYPE	JKS	KLR	KLR	KDR	KDR

WIRE SIZE CHART											
A			B			C			D		
208V 1PH	#8	#4	4K/10KW	4K/10KW	4K/10KW	4K/10KW	4K/10KW	4K/10KW	4K/10KW	4K/10KW	4K/10KW
240V 1PH	#8	#4	#10	#8	#8	#4	#4	#4	#4	#4	#4
208V 3PH	#10	#8	#10	#8	#8	#8	#8	#8	#8	#8	#8
240V 3PH	#10	#8	#10	#8	#8	#8	#8	#8	#8	#8	#8
480V 3PH	#12	#10	#12	#12	#12	#12	#12	#12	#12	#12	#12
600V 3PH	#12	#10	#12	#12	#12	#12	#12	#12	#12	#12	#12



OPTIONAL FEATURE THAT CAN BE CONFIGURED WHEN PURCHASED

THE ATTACHED DESIGNS ARE CONSIDERED TRADE SECRETS AND POTENTIALLY PATENTABLE. IN ACCORDANCE WITH CONFIDENTIALITY AND NON-DISCLOSURE AGREEMENT, THESE DESIGNS IN ACTUAL OR CONCEPTUAL FORMS CANNOT BE DISCLOSED, REPRODUCED OR USED WITHOUT HAWES' EXPRESS WRITTEN CONSENT.

NOTES:

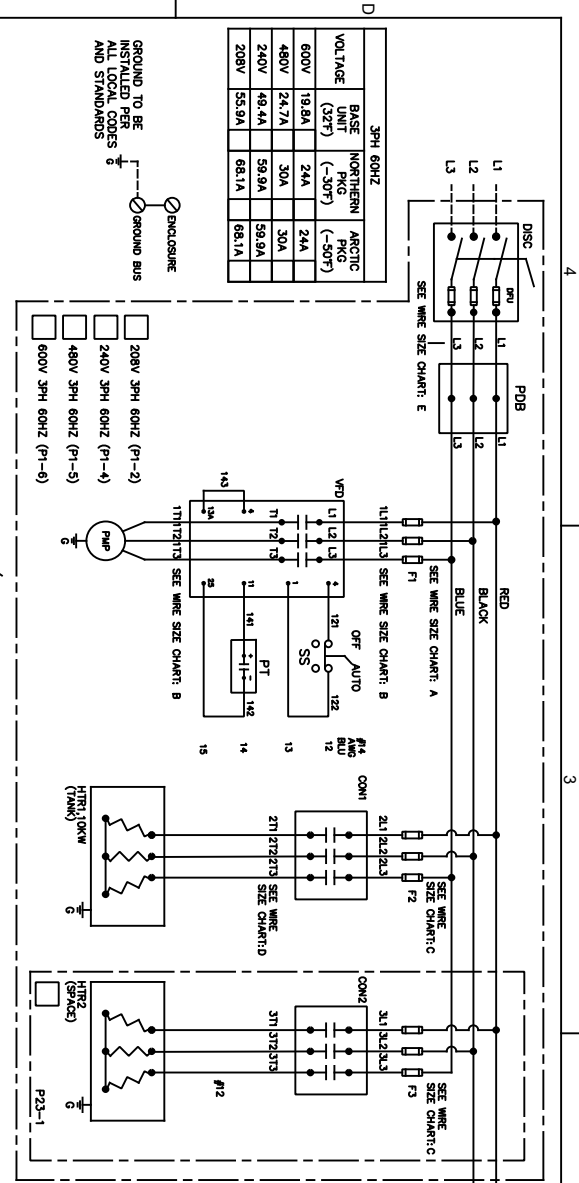
- AREA CLASSIFICATION: ORDINARY
- AVAILABLE AMBIENT TEMPERATURE RANGES: -50°F - 104°F, 32°F - 104°F
- RATINGS: CONFIGURABLE WITH TYPE 44X JUNCTION BOX FOR INDOOR OR OUTDOOR LOCATION

8785 - ALL-WEATHER EMERGENCY WATER TEMPERING BOOTH

1466 NEPERLANE SPRINGS, NEVADA 89431

0580001087/D-EL

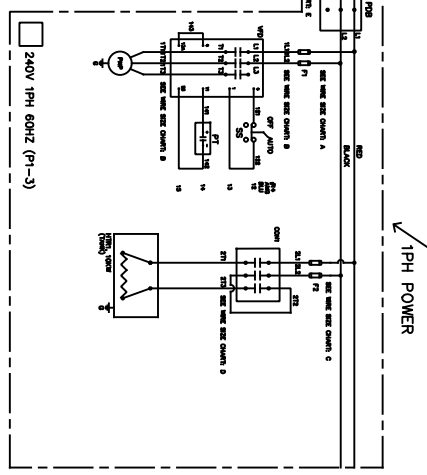
REV	DESCRIPTION	DATE	BY
1	REVISED	08/20/22	EL



GROUND TO BE MADE TO ALL LOCAL CODES AND STANDARDS

VOLTAGE	BASE UNIT (32F)	NORTHERN PKG (-30F)	ARCTIC PKG (-50F)
600V	19.8A	24A	24A
480V	24.7A	30A	30A
240V	49.4A	59.9A	59.9A
208V	55.9A	68.1A	68.1A

VOLTAGE	BASE UNIT (32F)	NORTHERN PKG (-30F)	ARCTIC PKG (-50F)
240V	87.6A	N/A	N/A
208V	99.2A	N/A	N/A

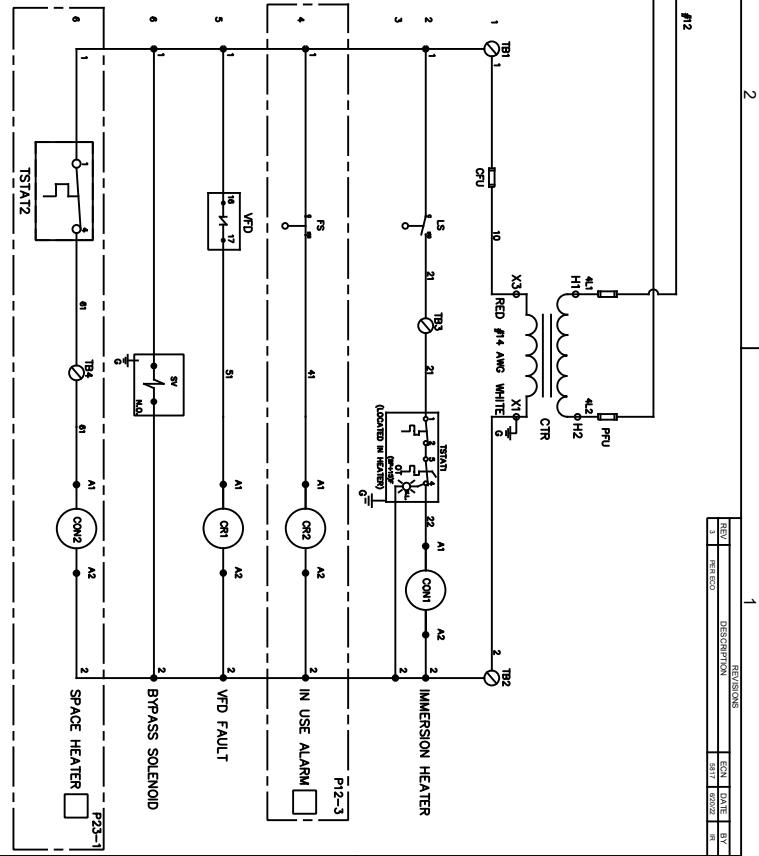


WIRE SIZE CHART	A	B	C	D	E
208V 1PH	#8	#9	#4	#6	#10
240V 1PH	#6	#10	#4	#8	#10
208V 3PH	#8	#12	#8	#8	#10
240V 3PH	#8	#12	#8	#8	#10
480V 3PH	#12	#12	#10	#12	#8
600V 3PH	#12	#12	#10	#12	#8

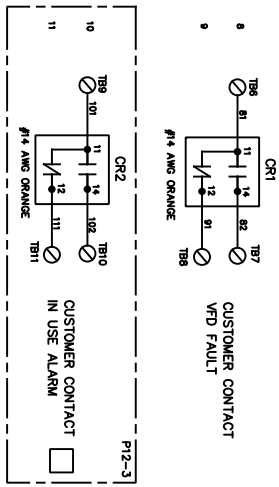
CONDUCTOR TERMINAL RATING		DRY CONTACTS		PUSH-IN	
DISCONNECT SIZE	TORQUE VALUE (IN-LS)	CONDUCTOR SIZE (AWG)	TORQUE VALUE (IN-LS)	CONDUCTOR SIZE	TORQUE VALUE (IN-LS)
100A	14-2/0	3S-19W	14-20		
60A	14-4	3S-3S			
30A	18-8	13-18			

FUSE CHART						
DRU	FT	F2	F3	PRU	CRU	
208V 1PH	100A	45A	60A	N/A	1.25A	1A
240V 1PH	100A	45A	60A	N/A	1.2A	1A
208V 3PH	100A	30A	35A	15A	1.25A	1A
240V 3PH	100A	30A	30A	12A	1A	1A
480V 3PH	30A	20A	15A	9A	.5A	1A
600V 3PH	30A	12A	12A	5A	1A	1A
FUSE TYPE	KKS			KKR	KDR	KDR

- COMPONENT DESIGNATION
- GRU - CONTROL POWER FUSE
 - CONU - CONTROL UNIT
 - CON2 - CONTACTOR 3 POLE SPACE HEATER
 - CR1 - CONTROL RELAY FOR ALARM NOTIFICATION
 - CR2 - CONTROL RELAY FOR ALARM NOTIFICATION
 - CR3 - CONTROL RELAY FOR ALARM NOTIFICATION
 - CR4 - CONTROL RELAY FOR ALARM NOTIFICATION
 - CR5 - CONTROL RELAY FOR ALARM NOTIFICATION
 - CR6 - CONTROL RELAY FOR ALARM NOTIFICATION
 - CR7 - CONTROL RELAY FOR ALARM NOTIFICATION
 - CR8 - CONTROL RELAY FOR ALARM NOTIFICATION
 - CR9 - CONTROL RELAY FOR ALARM NOTIFICATION
 - CR10 - CONTROL RELAY FOR ALARM NOTIFICATION
 - CR11 - CONTROL RELAY FOR ALARM NOTIFICATION
 - CR12 - CONTROL RELAY FOR ALARM NOTIFICATION
 - CR13 - CONTROL RELAY FOR ALARM NOTIFICATION
 - CR14 - CONTROL RELAY FOR ALARM NOTIFICATION
 - CR15 - CONTROL RELAY FOR ALARM NOTIFICATION
 - CR16 - CONTROL RELAY FOR ALARM NOTIFICATION
 - CR17 - CONTROL RELAY FOR ALARM NOTIFICATION
 - CR18 - CONTROL RELAY FOR ALARM NOTIFICATION
 - CR19 - CONTROL RELAY FOR ALARM NOTIFICATION
 - CR20 - CONTROL RELAY FOR ALARM NOTIFICATION
 - CR21 - CONTROL RELAY FOR ALARM NOTIFICATION
 - CR22 - CONTROL RELAY FOR ALARM NOTIFICATION
 - CR23 - CONTROL RELAY FOR ALARM NOTIFICATION
 - CR24 - CONTROL RELAY FOR ALARM NOTIFICATION
 - CR25 - CONTROL RELAY FOR ALARM NOTIFICATION
 - CR26 - CONTROL RELAY FOR ALARM NOTIFICATION
 - CR27 - CONTROL RELAY FOR ALARM NOTIFICATION
 - CR28 - CONTROL RELAY FOR ALARM NOTIFICATION
 - CR29 - CONTROL RELAY FOR ALARM NOTIFICATION
 - CR30 - CONTROL RELAY FOR ALARM NOTIFICATION
 - CR31 - CONTROL RELAY FOR ALARM NOTIFICATION
 - CR32 - CONTROL RELAY FOR ALARM NOTIFICATION
 - CR33 - CONTROL RELAY FOR ALARM NOTIFICATION
 - CR34 - CONTROL RELAY FOR ALARM NOTIFICATION
 - CR35 - CONTROL RELAY FOR ALARM NOTIFICATION
 - CR36 - CONTROL RELAY FOR ALARM NOTIFICATION
 - CR37 - CONTROL RELAY FOR ALARM NOTIFICATION
 - CR38 - CONTROL RELAY FOR ALARM NOTIFICATION
 - CR39 - CONTROL RELAY FOR ALARM NOTIFICATION
 - CR40 - CONTROL RELAY FOR ALARM NOTIFICATION
 - CR41 - CONTROL RELAY FOR ALARM NOTIFICATION
 - CR42 - CONTROL RELAY FOR ALARM NOTIFICATION
 - CR43 - CONTROL RELAY FOR ALARM NOTIFICATION
 - CR44 - CONTROL RELAY FOR ALARM NOTIFICATION
 - CR45 - CONTROL RELAY FOR ALARM NOTIFICATION
 - CR46 - CONTROL RELAY FOR ALARM NOTIFICATION
 - CR47 - CONTROL RELAY FOR ALARM NOTIFICATION
 - CR48 - CONTROL RELAY FOR ALARM NOTIFICATION
 - CR49 - CONTROL RELAY FOR ALARM NOTIFICATION
 - CR50 - CONTROL RELAY FOR ALARM NOTIFICATION
 - CR51 - CONTROL RELAY FOR ALARM NOTIFICATION
 - CR52 - CONTROL RELAY FOR ALARM NOTIFICATION
 - CR53 - CONTROL RELAY FOR ALARM NOTIFICATION
 - CR54 - CONTROL RELAY FOR ALARM NOTIFICATION
 - CR55 - CONTROL RELAY FOR ALARM NOTIFICATION
 - CR56 - CONTROL RELAY FOR ALARM NOTIFICATION
 - CR57 - CONTROL RELAY FOR ALARM NOTIFICATION
 - CR58 - CONTROL RELAY FOR ALARM NOTIFICATION
 - CR59 - CONTROL RELAY FOR ALARM NOTIFICATION
 - CR60 - CONTROL RELAY FOR ALARM NOTIFICATION
 - CR61 - CONTROL RELAY FOR ALARM NOTIFICATION
 - CR62 - CONTROL RELAY FOR ALARM NOTIFICATION
 - CR63 - CONTROL RELAY FOR ALARM NOTIFICATION
 - CR64 - CONTROL RELAY FOR ALARM NOTIFICATION
 - CR65 - CONTROL RELAY FOR ALARM NOTIFICATION
 - CR66 - CONTROL RELAY FOR ALARM NOTIFICATION
 - CR67 - CONTROL RELAY FOR ALARM NOTIFICATION
 - CR68 - CONTROL RELAY FOR ALARM NOTIFICATION
 - CR69 - CONTROL RELAY FOR ALARM NOTIFICATION
 - CR70 - CONTROL RELAY FOR ALARM NOTIFICATION
 - CR71 - CONTROL RELAY FOR ALARM NOTIFICATION
 - CR72 - CONTROL RELAY FOR ALARM NOTIFICATION
 - CR73 - CONTROL RELAY FOR ALARM NOTIFICATION
 - CR74 - CONTROL RELAY FOR ALARM NOTIFICATION
 - CR75 - CONTROL RELAY FOR ALARM NOTIFICATION
 - CR76 - CONTROL RELAY FOR ALARM NOTIFICATION
 - CR77 - CONTROL RELAY FOR ALARM NOTIFICATION
 - CR78 - CONTROL RELAY FOR ALARM NOTIFICATION
 - CR79 - CONTROL RELAY FOR ALARM NOTIFICATION
 - CR80 - CONTROL RELAY FOR ALARM NOTIFICATION
 - CR81 - CONTROL RELAY FOR ALARM NOTIFICATION
 - CR82 - CONTROL RELAY FOR ALARM NOTIFICATION
 - CR83 - CONTROL RELAY FOR ALARM NOTIFICATION
 - CR84 - CONTROL RELAY FOR ALARM NOTIFICATION
 - CR85 - CONTROL RELAY FOR ALARM NOTIFICATION
 - CR86 - CONTROL RELAY FOR ALARM NOTIFICATION
 - CR87 - CONTROL RELAY FOR ALARM NOTIFICATION
 - CR88 - CONTROL RELAY FOR ALARM NOTIFICATION
 - CR89 - CONTROL RELAY FOR ALARM NOTIFICATION
 - CR90 - CONTROL RELAY FOR ALARM NOTIFICATION
 - CR91 - CONTROL RELAY FOR ALARM NOTIFICATION
 - CR92 - CONTROL RELAY FOR ALARM NOTIFICATION
 - CR93 - CONTROL RELAY FOR ALARM NOTIFICATION
 - CR94 - CONTROL RELAY FOR ALARM NOTIFICATION
 - CR95 - CONTROL RELAY FOR ALARM NOTIFICATION
 - CR96 - CONTROL RELAY FOR ALARM NOTIFICATION
 - CR97 - CONTROL RELAY FOR ALARM NOTIFICATION
 - CR98 - CONTROL RELAY FOR ALARM NOTIFICATION
 - CR99 - CONTROL RELAY FOR ALARM NOTIFICATION
 - CR100 - CONTROL RELAY FOR ALARM NOTIFICATION



CONTROL RELAY CONTACT RATINGS:
6A @ 250 VAC/30VDC RESISTIVE
SWITCH POSITION SHOWN FOR ALARM CONDITION



- NOTES:
- AREA CLASSIFICATION: ORDINARY
 - AVAILABLE AMBIENT TEMPERATURE RANGES:
-50°F - 104°F, 32°F - 104°F
 - RATINGS: CONFIGURABLE WITH TYPE 44X JUNCTION BOX FOR INDOOR OR OUTDOOR LOCATION

OPTIONAL FEATURE THAT CAN BE CONFIGURED WHEN PURCHASED

THE ATTACHED DESIGNS ARE CONSIDERED TRADE SECRETS AND POTENTIALLY PATENTABLE. IN ACCORDANCE WITH CONFIDENTIALITY AND NON-DISCLOSURE AGREEMENT, THESE DESIGNS IN ACTUAL OR CONCEPTUAL FORMS CANNOT BE DISCLOSED, REPRODUCED OR USED WITHOUT HAWS' EXPRESS WRITTEN CONSENT.



8785 - ALL-WEATHER EMERGENCY WATER TEMPERING BOOTH W/VPD PUMP

REV	DESCRIPTION	ISSUE DATE	REV
1	ISSUED	05/17/2022	01
2	REVISED	05/17/2022	02
3	REVISED	05/17/2022	03

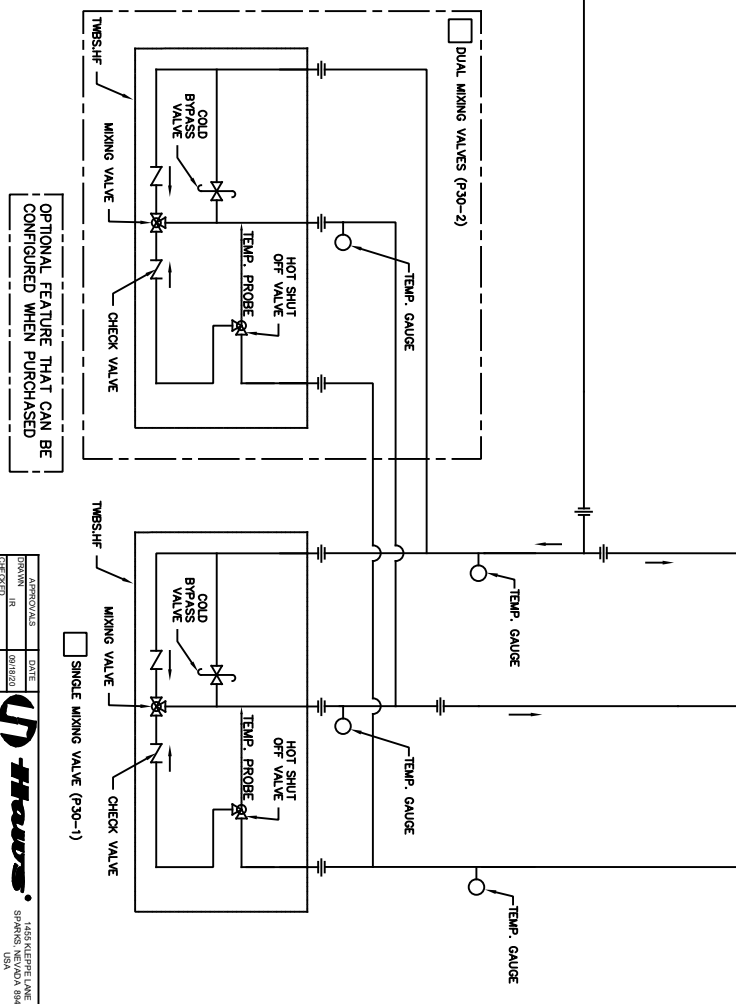
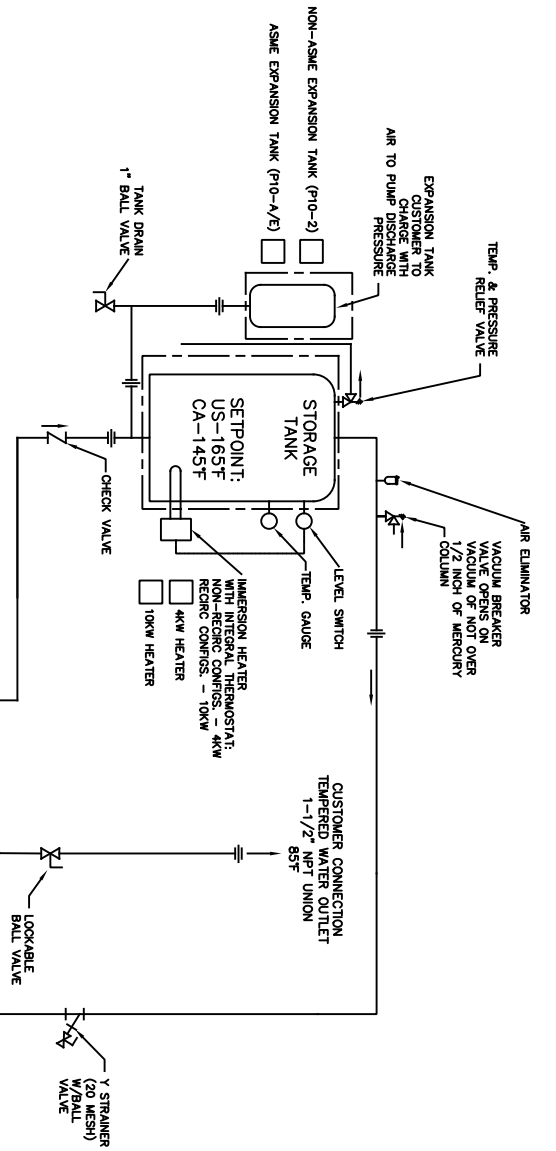
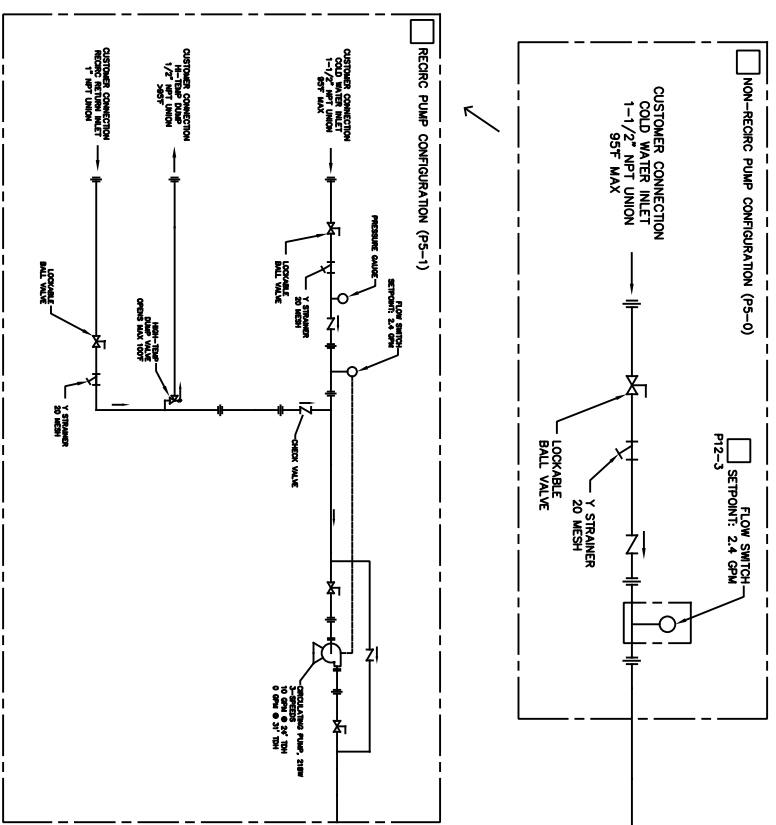
- NOTES:
1. AREA CLASSIFICATION: ORDINARY
 2. AVAILABLE AMBIENT TEMPERATURE RANGE: 32°F - 104°F
 3. SEE TABLE 1 FOR PRESSURE DROP ACROSS SKID. SHOWERS AND EYEWASHES REQUIRE 30PSI MINIMUM AT THEIR HIGHEST FLOW RATE.
 4. RATINGS: CONFIGURABLE WITH TYPE 4/4X JUNCTION BOX FOR INDOOR LOCATION

TABLE 1
PRESSURE DROP ACROSS SKID (SINGLE COMBINATION SHOWER FLOWS 30GPM)

SKID CONFIGURATION	PRESSURE DROP
60GPM/SST PIPE/2 TMS	24 PSI
60GPM/GALV PIPE/2 TMS	27 PSI
60GPM/SST PIPE/1 TMS	30 PSI
60GPM/GALV PIPE/1 TMS	37 PSI
300GPM/SST PIPE/2 TMS	4 PSI
300GPM/GALV PIPE/2 TMS	6 PSI
300GPM/SST PIPE/1 TMS	8 PSI
300GPM/GALV PIPE/1 TMS	10 PSI

TANK SIZE (TANK TEMPERATURES ARE SET AT 165°F FOR USA AND 145°F FOR CANADA)

TANK SIZE	SHOWER CAPACITY (9 MIN.)	MINIMUM INLET TEMP.	OPTION SELECTED
1196	1	62°F	
1457	1	54°F	
1206	1	62°F	
1657	1	54°F	
2006	1	35°F	
1657	1	32°F	
3186	2	50°F	
1457	2	39°F	
4006	2	35°F	
1657	2	32°F	



OPTIONAL FEATURE THAT CAN BE CONFIGURED WHEN PURCHASED

THE ATTACHED DESIGNS ARE CONSIDERED TRADE SECRETS AND POTENTIALLY PATENTABLE. IN ACCORDANCE WITH CONFIDENTIALITY AND NON-DISCLOSURE AGREEMENT, THESE DESIGNS IN ACTUAL OR CONCEPTUAL FORMS CANNOT BE DISCLOSED, REPRODUCED OR USED WITHOUT HAWES EXPRESS WRITTEN CONSENT.

8780 - INDOOR EMERGENCY WATER TEMPERING SKID

APPROVALS:	DATE:
DRAWN BY: 0818203	07/06/22
CHECKED BY: 070622	07/06/22
APPROVED BY:	
CONTRACT NUMBER:	
PROJECT NUMBER:	

NOTICE OF PROHIBITED INFORMATION
 ANY INFORMATION CONTAINED HEREIN IS THE SOLE PROPERTY OF HAWES CORPORATION. IT IS NOT TO BE REPRODUCED, COPIED, DISCLOSED, OR TRANSMITTED IN ANY FORM OR BY ANY MEANS, ELECTRONIC OR MECHANICAL, INCLUDING PHOTOCOPYING, RECORDING, OR BY ANY INFORMATION STORAGE AND RETRIEVAL SYSTEM, WITHOUT THE WRITTEN PERMISSION OF HAWES CORPORATION.

SCALE: SIZE 11X17 PAPER NUMBER: 095800010866 D-PPID

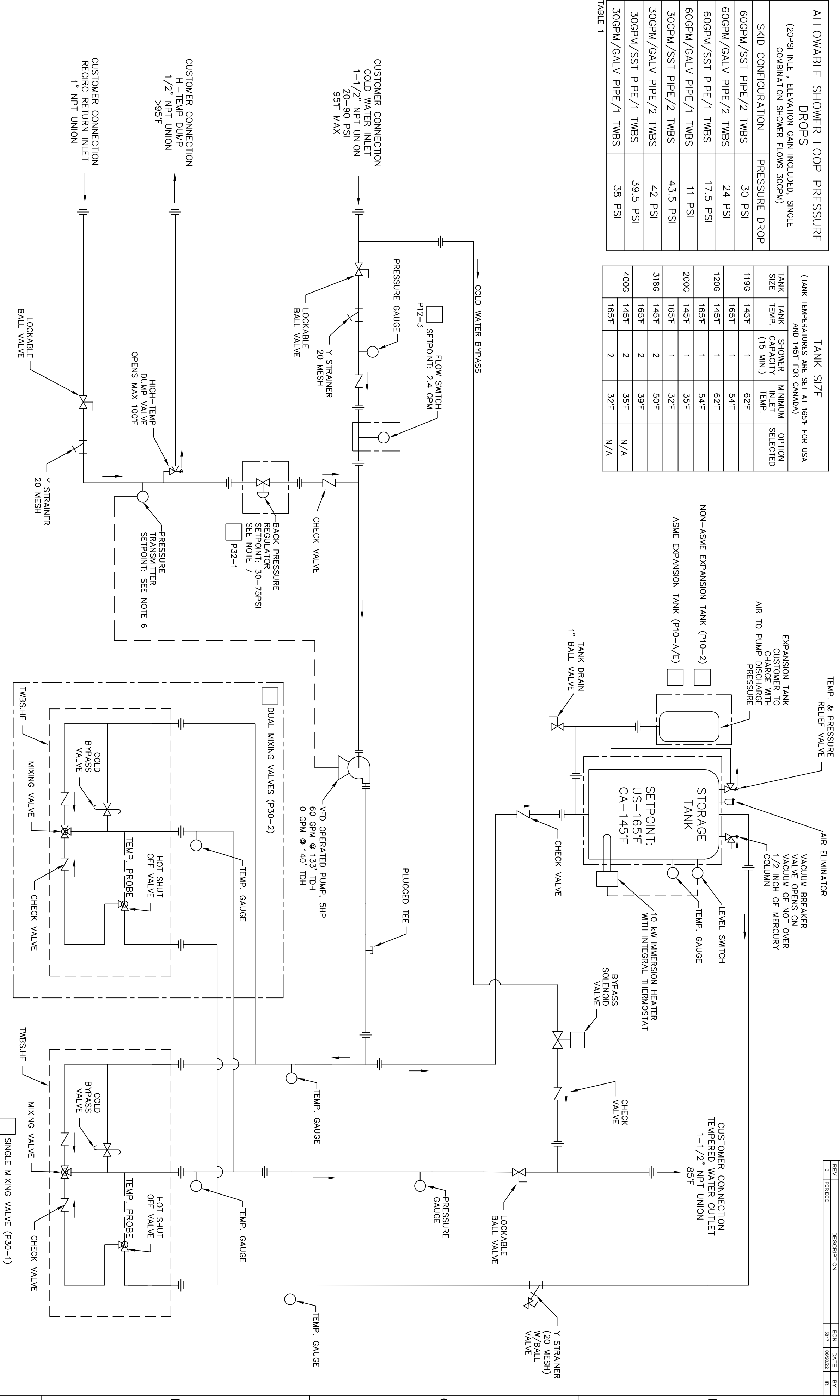
1465 WELPHE LAKE
 SPARKS, NEVADA 89431
 USA

THIRD ANGLE PROJECTION
 FIRST ANGLE
 CUT 1
 OF 1

REV	DESCRIPTION	DATE	BY
3	REV ECU	06/20/22	MR

ALLOWABLE SHOWER LOOP PRESSURE DROPS (20PSI INLET, ELEVATION GAIN INCLUDED, SINGLE COMBINATION SHOWER FLOWS 30GPM)	
SKID CONFIGURATION	PRESSURE DROP
60GPM/SST PIPE/2 TWBS	30 PSI
60GPM/GALV PIPE/2 TWBS	24 PSI
60GPM/SST PIPE/1 TWBS	17.5 PSI
60GPM/GALV PIPE/1 TWBS	11 PSI
30GPM/SST PIPE/2 TWBS	43.5 PSI
30GPM/GALV PIPE/2 TWBS	42 PSI
30GPM/SST PIPE/1 TWBS	39.5 PSI
30GPM/GALV PIPE/1 TWBS	38 PSI

TANK SIZE (TANK TEMPERATURES ARE SET AT 165°F FOR USA AND 145°F FOR CANADA)				
TANK SIZE	TANK TEMP.	SHOWER CAPACITY (15 MIN.)	MINIMUM INLET TEMP.	OPTION SELECTED
119G	145°F	1	62°F	
60GPM/SST PIPE/2 TWBS	165°F	1	54°F	
60GPM/GALV PIPE/2 TWBS	145°F	1	62°F	
60GPM/SST PIPE/1 TWBS	165°F	1	54°F	
60GPM/GALV PIPE/1 TWBS	145°F	1	35°F	
30GPM/SST PIPE/2 TWBS	165°F	1	32°F	
30GPM/GALV PIPE/2 TWBS	145°F	2	50°F	
30GPM/SST PIPE/1 TWBS	165°F	2	39°F	
30GPM/GALV PIPE/1 TWBS	145°F	2	35°F	
30GPM/SST PIPE/1 TWBS	165°F	2	32°F	N/A



- NOTES:
1. AREA CLASSIFICATION: ORDINARY
 2. AVAILABLE AMBIENT TEMPERATURE RANGE: -50°F - 104°F, 32°F - 104°F
 3. RATINGS: CONFIGURABLE WITH TYPE 4/4X JUNCTION BOX FOR INDOOR OR OUTDOOR LOCATION
 4. SEE TABLE 1 FOR ALLOWABLE PRESSURE DROP FROM SKID OUTLET TO SHOWERS. PRESSURE DROP INCLUDES ELEVATION CHANGES. PRESSURE DROP VALUES GIVEN FOR SUPPLY PRESSURE OF 20PSI. IF SUPPLY PRESSURE IS HIGHER, ADD THE DIFFERENCE BETWEEN SUPPLY PRESSURE AND 20PSI TO THE PRESSURE DROP GIVEN TO GET ADJUSTED ALLOWABLE PRESSURE DROP. ALLOWABLE PRESSURE DROP SHOULD NEVER EXCEED 60PSI WITH OUT FURTHER ANALYSIS AS THIS COULD LEAD TO OVER-PRESSURIZING SHOWERS.
 5. RECOMMENDED RECIRCULATION FLOWRATE: 10GPM
 6. PRESSURE TRANSMITTER SETPOINT IS TYPICAL SET TO 30PSI + ELEVATION CHANGE FROM SKID TO HIGHEST SHOWER (1FT = 433PSI)
 7. A BACK PRESSURE REGULATOR IS REQUIRED FOR THE FOLLOWING CONDITION: SUPPLY PRESSURE < 30PSI + ELEVATION CHANGE FROM SKID TO HIGHEST SHOWER

OPTIONAL FEATURE THAT CAN BE CONFIGURED WHEN PURCHASED

- THE ATTACHED DESIGNS ARE CONSIDERED TRADE SECRETS AND POTENTIALLY PATENTABLE. IN ACCORDANCE WITH CONFIDENTIALITY AND NON-DISCLOSURE AGREEMENT, THESE DESIGNS IN ACTUAL OR CONCEPTUAL FORMS CANNOT BE DISCLOSED, REPRODUCED OR USED WITHOUT HAWES EXPRESS WRITTEN CONSENT.

APPROVALS	DATE		8785 - ALL-WEATHER EMERGENCY WATER TEMPERING BOOTH W/VFD PUMP			
DRAWN	09/18/20					
CHECKED	07/06/22					
CUSTOMER INFO TAG #		1455 KLEPPE LANE SPARKS, NEVADA 89431 USA	SCALE SIZE	PART NUMBER	REV	
			N/A	C	0580001087.D-VFD-PID	3

8785 PART NUMBER BREAKDOWN

PART NUMBER CONFIGURATION AND DRAWING REFERENCE GUIDELINE.

STEP 1:

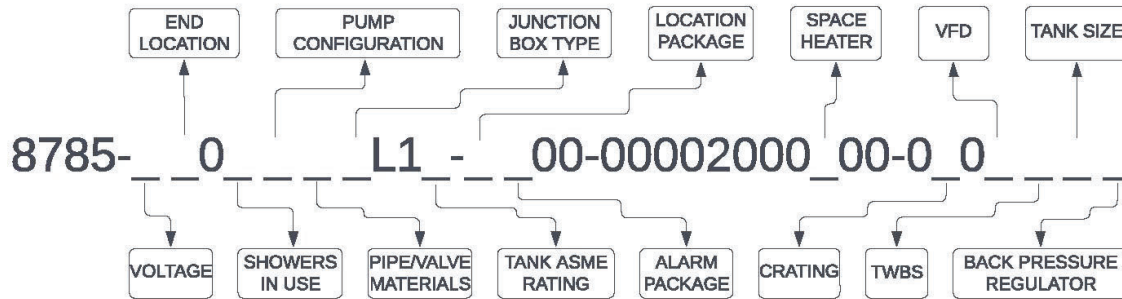
CONFIGURE PART NUMBER OR RETRIEVE PART NUMBER FROM EQUIPMENT. EXAMPLE PN: 8785-SU0D3B0L1T-2000-00002000100-0001141

STEP 2:

DETERMINE THE DRAWING SET THAT APPLIES TO THE CONFIGURED PART NUMBER. UNITS WITH NO PUMP OR JUST A RECIRCULATION PUMP USE DRAWINGS 0580001087.D-EL, 0580001087.D-PID AND 0580001087.D-GA. UNITS WITH A BOOSTER/RECIRCULATION PUMP AND A VFD USE DRAWINGS 0580001087.D-VFD EL, 0580001087.D-VFD PID AND 0580001087.D-VFD GA.

STEP 3:

USE THE TABLES BELOW TO DETERMINE WHICH SECTIONS OF THE DRAWINGS APPLY .



VOLTAGE	PN	DRAWING REFERENCE
208V 1PH 60HZ	1	P1-1
208V 3PH 60HZ	2	P1-2
240V 1PH 60HZ	3	P1-3
240V 3PH 60HZ	4	P1-4
480V 3PH 60HZ	5	P1-5
600V 3PH 60HZ	6	P1-6

END LOCATION	PN	DRAWING REFERENCE
UNITED STATES	U	P2-U
CANADA	S	P2-S

SHOWERS IN USE	PN	DRAWING REFERENCE
ONE (30GPM)	S	P4-S
TWO (60GPM)	D	P4-D

PUMP CONFIGURATION	PN	DRAWING REFERENCE
NO PUMP	0	0580001087.D-EL, P5-0 0580001087.D-PID, P5-0 0580001087.D-GA, P5-0
RECIRCULATION PUMP	1	0580001087.D-EL, P5-1 0580001087.D-PID, P5-1 0580001087.D-GA, P5-1
BOOSTER/RECIRC. PUMP (VFD INCLUDED)	3	0580001087.D-VFD EL, P5-3 0580001087.D-VFD PID, P5-3 0580001087.D-VFD GA, P5-3

PIPE AND VALVE MATERIALS	PN	DRAWING REFERENCE
GALVANIZED PIPE WITH BRASS VALVES AND STRAINERS	G	P6-G
304 SST PIPE WITH BRASS VALVES AND STRAINERS	B	P6-B
304 SST PIPE WITH STAINLESS STEEL VALVES AND STRAINERS	S	P6-S

JUNCTION BOX TYPE	PN	DRAWING REFERENCE
TYPE 4	0	P7-0
TYPE 4X	1	P7-1

TANK ASME RATING	PN	DRAWING REFERENCE
NON-ASME EXPANSION TANK	T	P10-T
ASME TANKS	A	P10-A
ASME EXPANSION TANK ONLY	E	P10-E

LOCATION PACKAGE	PN	DRAWING REFERENCE
ABOVE FREEZING (32°F - 104°F)	0	P11-0
ARCTIC (-50°F - 104°F)	2	P11-2

IN-USE ALARM PACKAGE	PN	DRAWING REFERENCE
NONE	0	-
FLOW SWITCH WITH ISOLATED ALARM DRY CONTACTS	3	P12-3

SPACE HEATER	PN	DRAWING REFERENCE
NONE (ABOVE FREEZING)	0	P23-0
SINGLE (ARCTIC)	1	P23-1

CRATING	PN
STANDARD	0
PREMIUM	1

VFD	PN	DRAWING REFERENCE
NONE	0	0580001087.D-EL 0580001087.D-PID 0580001087.D-GA
INCLUDED (BOOSTER/RECIRC. PUMP ONLY)	1	0580001087.D-VFD EL 0580001087.D-VFD PID 0580001087.D-VFD GA

TWBS	PN	DRAWING REFERENCE
ONE	0	P30-1
TWO	1	P30-2

TANK SIZE (GAL)	PN	DRAWING REFERENCE
119	0	P31-0
120	1	P31-1
200	2	P31-2
318 (NON-VFD, 125PSI)	3	P31-3
318 (VFD, 150PSI)	4	P31-4

BACKPRESSURE REGULATOR	PN	DRAWING REFERENCE
NONE	0	-
INCLUDED	1	P32-1