

Axion body shower (ABS) activated by pullrod

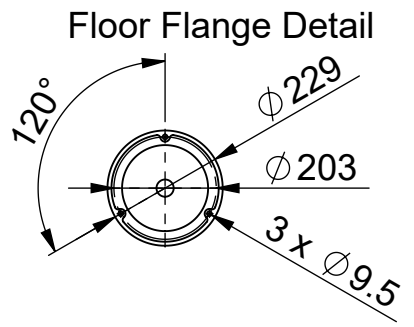
Water inlet G 1 1/4"

Hand hose activated by push flag

Axion eye/face wash with dust cover (ABS) activated by push flag


SP158B freeze protection valve

Piping in galvanized steel



Weight: 47kg (103,5lbs)

THESE DIMENSIONS MAY VARY +/- 12,7mm (1/2")

-			01.10.2014	ruje
REV	DESCRIPTION	ECN NO.	DATE	BY
REVISIONS				
CATEGORY	MATERIAL		TITLE	
 <p>T +41 (0)34 420 60 00 F +41 (0)34 420 60 01</p> <p>BACHWEG 3 CH3401 BURGENDORF SWITZERLAND</p> <p>www.haws.ch info@haws.ch</p>	SURFACE		WEIGHT (kg)	
	APPROVALS		DATE	
	MODELLED		27.10.2010	
	DRAWN		27.10.2010	
	REVISED		01.10.2014	
	CHECKED		25.03.2020	
SCALE 1:15		SHEET 1 OF 1		SPECIFICATION 8317CTFP Axion PART NO. 10004782
THIS DOCUMENT AND THE DATA DISCLOSED HEREIN OR HEREWITH IS NOT TO BE REPRODUCED, USED, OR DISCLOSED IN WHOLE OR IN PART TO ANYONE WITHOUT THE PERMISSION OF HAWS CORPORATION.		SIZE A4	DOCUMENT NO. 0012547	REV. -
General tolerances ISO 2768-mK				