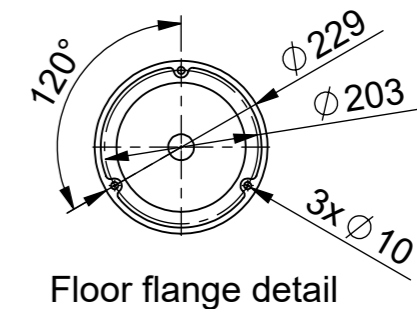
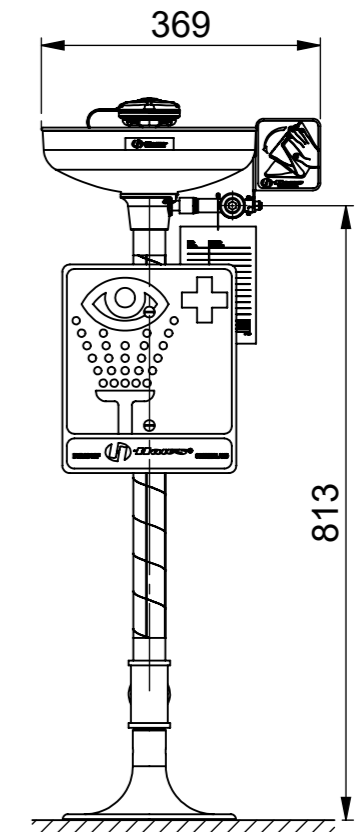
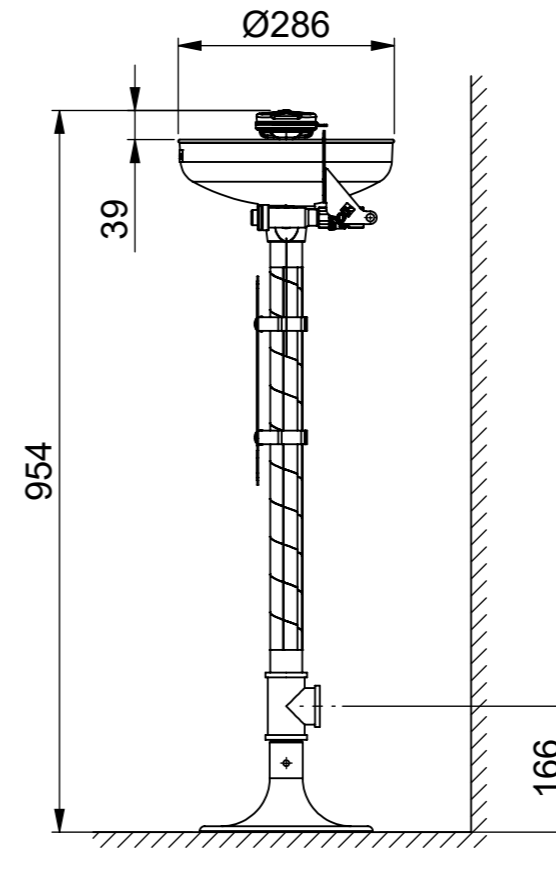


Piping in galvanized steel



Weight: 8,4kg (18,5lbs)  
 DIMENSIONS MAY VARY +/- 12,7mm (1/2")

A			16.02.2021	drmi
REV	DESCRIPTION	ECN NO.	DATE	BY
REVISIONS				
CATEGORY	MATERIAL	TITLE		
		7261 Axion		
		SPECIFICATION		
		PART NO.		
		10004433		
		SIZE	DOCUMENT NO.	REV.
		A3	0009046	A

		BACHWEG 3 CH3401 BURGENDORF SWITZERLAND		www.haws.ch info@haws.ch	
T +41 (0)34 420 60 00 F +41 (0)34 420 60 01					
THIS DOCUMENT AND THE DATA DISCLOSED HEREIN OR HEREWITH IS NOT TO BE REPRODUCED, USED OR DISCLOSED IN WHOLE OR IN PART TO ANYONE WITHOUT THE PERMISSION OF HAWS CORPORATION.		CHECKED tara 16.02.2021		SCALE 1:5 SHEET 1 OF 2	
General tolerances ISO 2768-mK					