



# INSTALLATION, OPERATION & MAINTENANCE INSTRUCTIONS

1455 Kleppe Lane ♦ Sparks, NV 89431-6467 ♦ (775) 359-4712 ♦ Fax (775) 359-7424  
E-mail: [haws@hawsco.com](mailto:haws@hawsco.com) ♦ website: [www.hawsco.com](http://www.hawsco.com)

No. 0002080102 (17)

## Model 7777 Stainless Steel Pedestal Mounted Eye/Face Wash

**NOTE TO INSTALLER:** Please leave this information with the Maintenance Department.

### LIMITED WARRANTY

HAWS warrants that this specific product is guaranteed against defective material or poor workmanship for a period of **one year from date of shipment**. HAWS liability under this warranty shall be discharged by furnishing without charge F.O.B. HAWS Factory any goods, or part thereof, which shall appear to the Company upon inspection to be of defective material or not of first class workmanship, provided that claim is made in writing to Haws within a reasonable period after receipt of the product. Where claims for defects are made, the defective part or parts shall be delivered to the Company, prepaid, for inspection. HAWS will not be liable for the cost of repairs, alterations or replacements, or for any expense connected therewith made by the owner or his agents, except upon written authority from HAWS, Sparks, Nevada. HAWS will not be liable for any damages caused by defective materials or poor workmanship, except for replacements, as provided above. Buyer agrees that Haws has made no other warranties either expressed or implied in addition to those above stated, except that of title with respect to any of the products or equipment sold hereunder and that HAWS shall not be liable for general, special, or consequential damages claimed to arise under the contract of sale.

The emergency equipment manufactured by HAWS is warranted to function if installation and maintenance instructions provided are adhered to. The units also must be used for the purpose for which they were intended. This product is intended to supplement first-aid treatment. Due to widely varying conditions, Haws cannot guarantee that the use of this emergency equipment will prevent serious injury or the aggravation of existing or prior injuries.

**NO OTHER WARRANTIES EXPRESSED OR IMPLIED ARE AUTHORIZED, PROVIDED OR GIVEN BY HAWS.**

**SHOULD YOU EXPERIENCE DIFFICULTY WITH THE INSTALLATION OF THIS MODEL PLEASE CALL:**

**TECHNICAL SUPPORT: 1-800-766-5612**

**FOR CUSTOMER SERVICE: 1-888-640-4297**

**LOCATION OF UNIT:** The Model 7777 Stainless Steel Pedestal Mounted Eye/Face Wash should be installed in close proximity to potential accident areas. It should be clearly identified, free from obstructions and easy to access.

**SUPPLY LINE:** The minimum recommended line size is 1/2" IPS with 30-90 psi (2-6 ATM) flowing pressure. Where sediment or mineral content is a problem, an inlet filter is recommended.

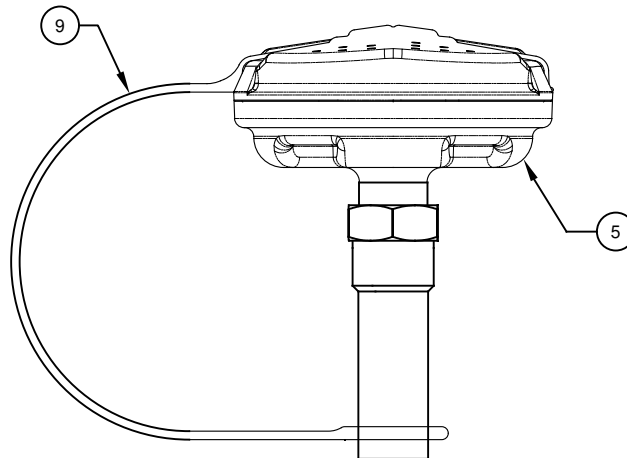
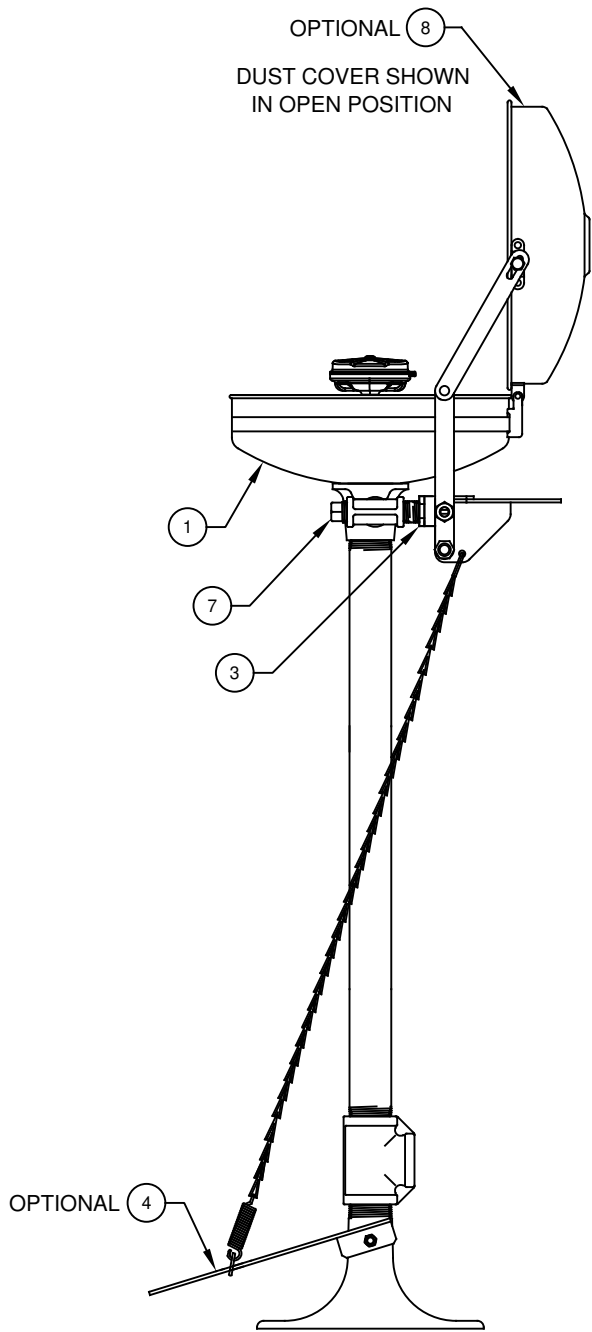
**PLUMBING CONNECTIONS:** Inlet supply is female 1/2" IPS. Waste outlet is female 1-1/4" IPS.

<b>TROUBLESHOOTING</b>	
<b>PROBLEM</b>	<b>REPAIR CHECKLIST</b>
1. No flow.	1. Check the main shut-off valve.
2. Insufficient water flow.	2. a. Verify minimum 30psi (2 ATM) flowing supply line pressure. b. Probable clogging of flow control due to inadequate line flushing. Unscrew eye/face wash head and remove the four screws to disassemble head. Clean flow control and reassemble head. c. Remove plug located on L – Strainer using 9/16" wrench to access and clean filter screen.
3. Eye/face wash streams do not meet desired eye level.	3. Possible blocked flow control, see above solution. Possible non-leveled eye/face wash assembly.
4. Water does not drain properly.	4. Check the main waste line of your building to see if it does handle the capacity required for the entire drainage system.

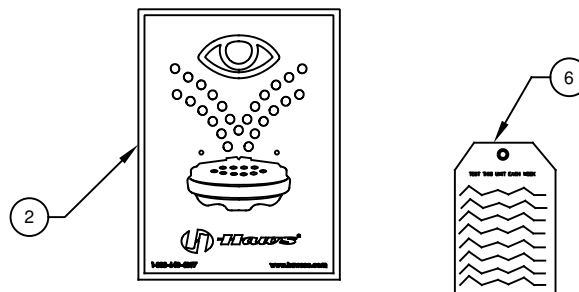
For more information about Haws products, see our website: [www.hawesco.com](http://www.hawesco.com)

© 2020 Haws® Corporation – All Rights Reserved  
HAWS® and other trademarks used in these materials are the exclusive property of Haws Corporation.

ITEM	DESCRIPTION	PART NO.	
1	BOWL	SP90	
2	SP175 EYEWASH SIGN	SP175	
3	SP232 VALVE ASSEMBLY	SP232	
OPTIONAL	4	SP220SS FOOT TREADLE	SP220SS
	5	SP65SS EYE/FACE WASH	SP65SS
	6	SP170 TEST TAG	SP170
	7	SP509SS L-STRAINER	SP509SS
OPTIONAL	8	9102 DUST COVER ASSEMBLY	9102
	9	E/F WASH DUST COVER	9091




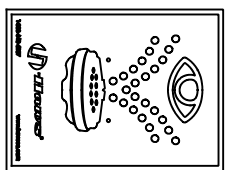
### SP65SS EYE/FACE WASH ASSEMBLY



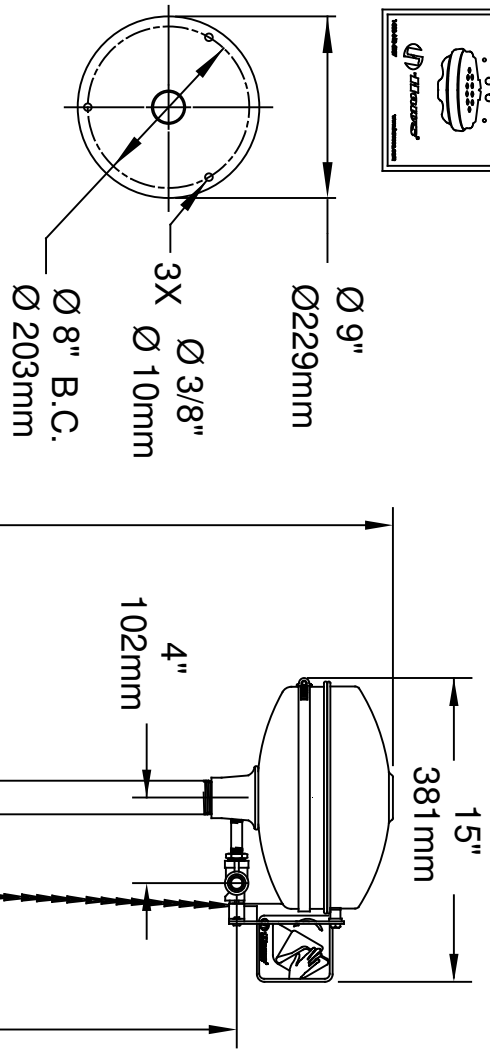
# PARTS BREAKDOWN

WHEN ORDERING PARTS PLEASE SPECIFY MODEL NUMBER.

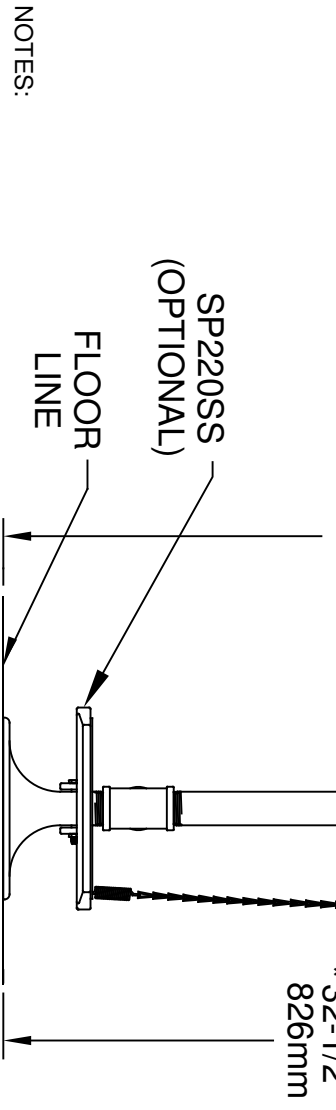
		<b>Haws</b> <sup>®</sup>		1455 KLEPPE LANE SPARKS, NEVADA 89431 (775) 359-4712 FAX (775) 359-7424 E-MAIL: HAWS@HAWS.CO.COM WEBSITE: WWW.HAWS.CO.COM	
				ECN NO. REVISED PER BY ECN: 5530 FV	MODEL(S) 7777
DRAWN CLF	DATE 03/04/96	CHKD DP			REVISION 17
APPROVED NE	DATE 03/27/20	SCALE: 1/4	DRAWING TYPE: PARTS BREAKDOWN	SIZE: A	SHEET 1 OF 1



**SIGN IS TO BE POSITIONED SUCH THAT IT IS VISIBLE WITHIN THE AREA SERVED BY THE EYEWASH**



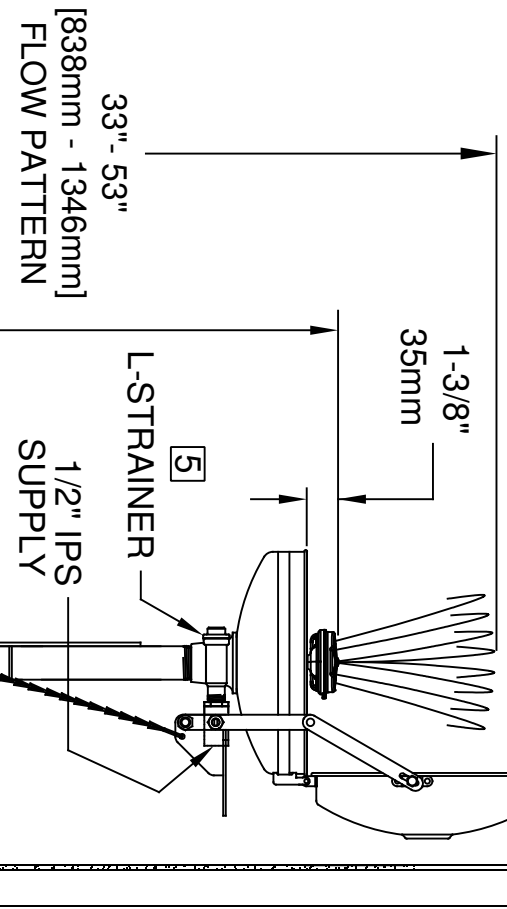
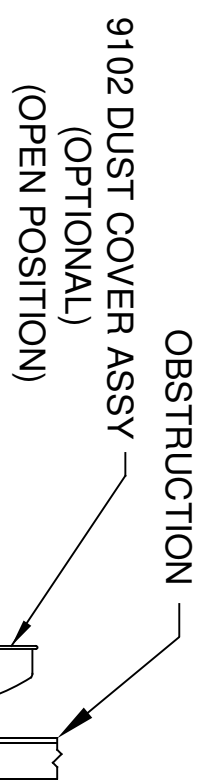
**MOUNTING DETAIL**



NOTES:

1. WHEN INSTALLING THIS UNIT, LOCAL, STATE, OR FEDERAL CODES SHOULD BE ADHERED TO FOR INSTALLATION DIMENSIONS (LOCATIONS), WASTE AND SUPPLY REQUIREMENTS OTHER THAN SHOWN.
2. TO COMPLY WITH ANSI Z358.1-2014 FOR EMERGENCY EYEWASH OR EYEFACE WASH: EYEWASH OR EYEFACE WASH SHALL BE POSITIONED SUCH THAT FLUSHING FLUID PATTERN IS NOT LESS THAN 33" (838mm) AND NO GREATER THAN 53" (1346mm) FROM SURFACE ON WHICH USER STANDS; AND 6.0" (153mm) MINIMUM FROM WALL OR NEAREST OBSTRUCTION.
3. CENTERLINE WASTE PLACED 9" (229mm) MIN FROM OBSTRUCTION.

4. DIM APPLIES WHEN OPTIONAL 9102 DUST COVER ASSEMBLY IS USED.
5. REMOVE 1/2" NPT PLUG TO GAIN ACCESS TO STRAINER FOR CLEANING. WHEN RE-ASSEMBLING STRAINER AND PLUG, MAKE SURE THAT STRAINER IS FULLY PRESSED INTO PLUG CAVITY, PRIOR TO THREADING PLUG INTO TEE.
6. \* DIMENSIONS MAY VARY BY ±1/2" (13 mm).



**Haws**

EDNINO REVISED PER BY:	MODEL(S)	1455 KLEPPE LANE
DRAWN: EON:SS50	7777	SPARKS, NEVADA 89431
DATE: 08/11/17		(775) 359-4712 FAX (775) 359-7424
APPROVED: DP		E-MAIL: HAWS@HAWSCO.COM
DATE: 08/27/20		WEBSITE: WWW.HAWSCO.COM
SCALE: 1/10	INSTALLATION	
SIZE: A	SHEET: 1	OF: 1
PART NUMBER: 0002080102.D		
REVISION: 17		