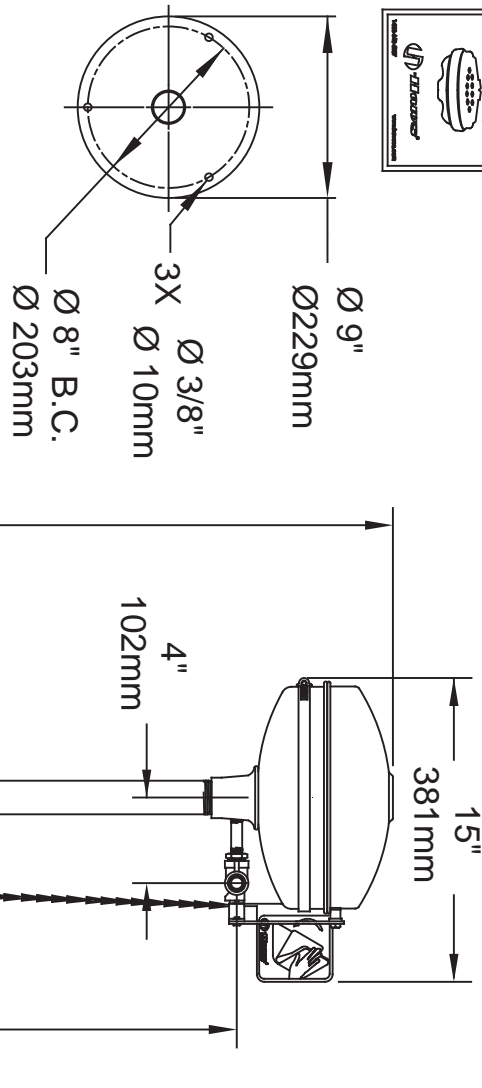


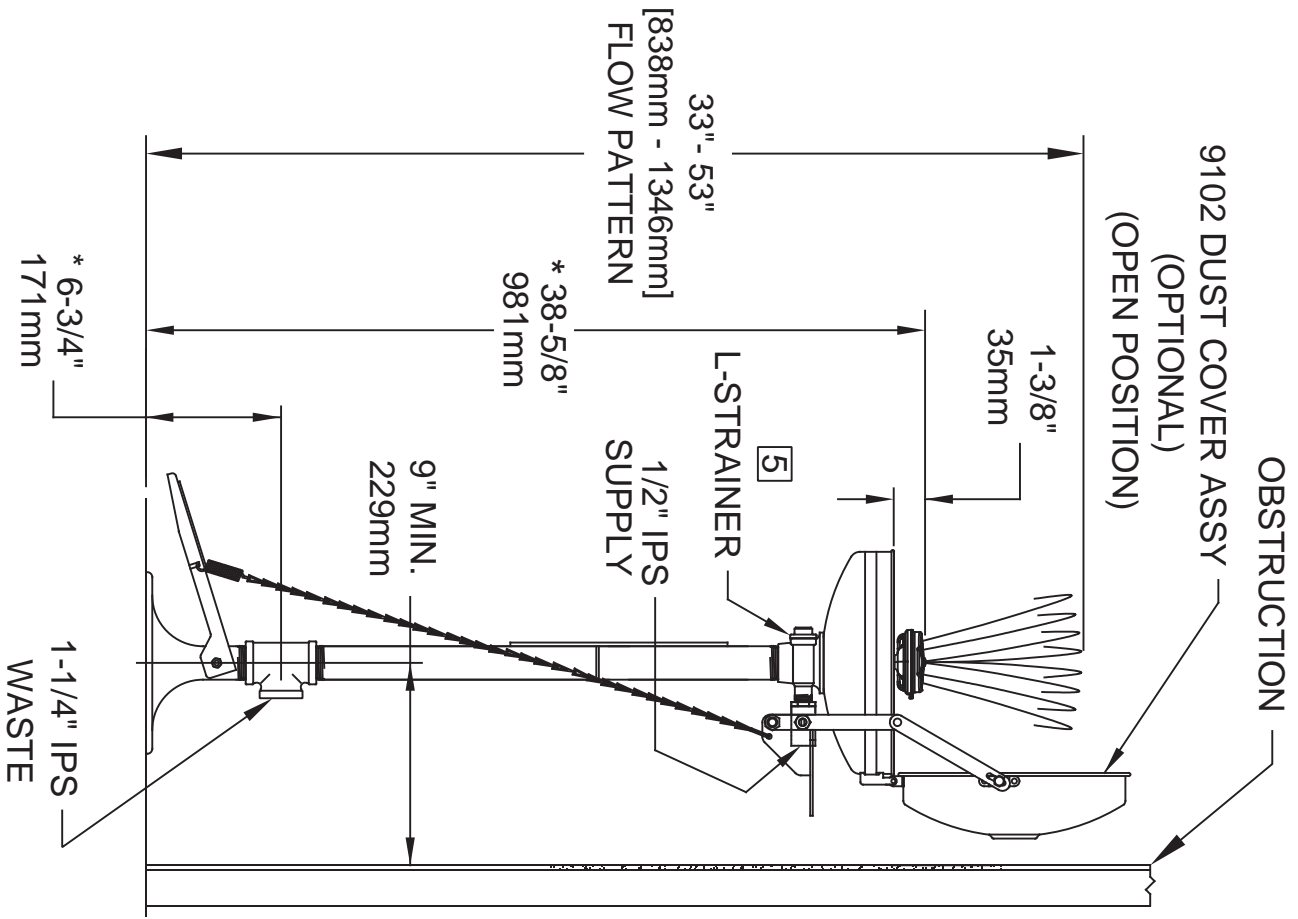
**SIGN IS TO BE POSITIONED SUCH THAT IT IS VISIBLE WITHIN THE AREA SERVED BY THE EYEWASH**



**MOUNTING DETAIL**

**NOTES:**

1. WHEN INSTALLING THIS UNIT, LOCAL, STATE, OR FEDERAL CODES SHOULD BE ADHERED TO FOR INSTALLATION DIMENSIONS (LOCATIONS), WASTE AND SUPPLY REQUIREMENTS OTHER THAN SHOWN.
2. TO COMPLY WITH ANSI Z358.1-2014 FOR EMERGENCY EYEWASH OR EYE/FACE WASH: EYEWASH OR EYE/FACE WASH SHALL BE POSITIONED SUCH THAT FLUSHING FLUID PATTERN IS NOT LESS THAN 33" (838mm) AND NO GREATER THAN 53" (1346mm) FROM SURFACE ON WHICH USER STANDS; AND 6.0" (153mm) MINIMUM FROM WALL OR NEAREST OBSTRUCTION.
3. CENTERLINE WASTE PLACED 9" [229mm] MIN FROM OBSTRUCTION.
- 4 DIM APPLIES WHEN OPTIONAL 9102 DUST COVER ASSEMBLY IS USED.
- 5 REMOVE 1/2" NPT PLUG TO GAIN ACCESS TO STRAINER FOR CLEANING. WHEN RE-ASSEMBLING STRAINER AND PLUG, MAKE SURE THAT STRAINER IS FULLY PRESSED INTO PLUG CAVITY, PRIOR TO THREADING PLUG INTO TEE.
6. \* DIMENSIONS MAY VARY BY ±1/2" (13 mm).



**OBSTRUCTION**

**9102 DUST COVER ASSY (OPTIONAL) (OPEN POSITION)**

		<b>MODEL(S)</b>	
ECONO REVISED PER BY: [signature]		7777	
DRWN: [signature]	DATE: [signature]	SCALE: 1/10	DRAWING TYPE: INSTALLATION
APPROVED: [signature]	DATE: 08/27/20	SIZE: A	SHEET: 1 OF 1
1455 KLEPPE LANE SPARKS, NEVADA 89431 (775) 359-4712 FAX (775) 359-7424 E-MAIL: HAWS@HAWSO.COM WEBSITE: WWW.HAWSO.COM		PART NUMBER: 0002080102.D REVISION: 17	