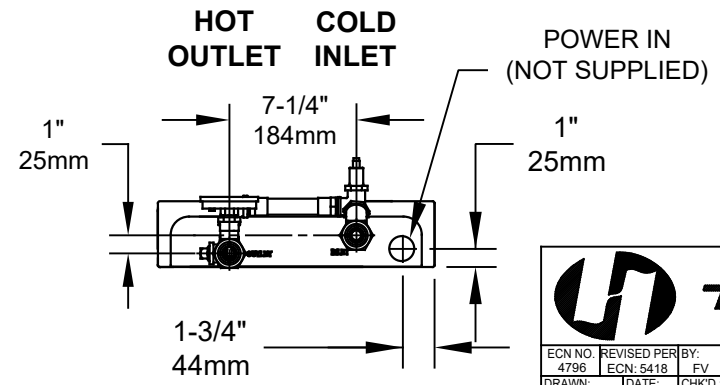


HEATER  
480VAC  
3 PHASE  
20kW  
  
(CAUTION: THIS UNIT IS INTENDED FOR INDOOR USE ONLY)

**NOTES:**

1. CAUTION: THIS UNIT IS INTENDED "FOR INDOOR USE ONLY"
2. USE TEFLON THREAD SEAL TAPE ON ALL WATER CONNECTIONS. **DO NOT USE PIPE DOPE.**
3. DIMENSIONS MAY VARY BY: ± 1/2" [12.7mm].



		1455 KLEPPE LANE SPARKS, NEVADA 89431 (775) 359-4712 FAX (775) 359-7424 E-MAIL: HAWS@HAWSCO.COM WEBSITE: WWW.HAWSCO.COM	
		ECN NO. 4796 DRAWN: RTM APPROVED: IR	REVISED PER: FV ECN: 5418 DATE: 04/30/04 DATE: 09/17/19
SCALE: 1:10		DRAWING TYPE: INSTALLATION	SHEET 1 OF 1