

FEATURES & BENEFITS

CONSTRUCTION

1-1/4" BSP galvanized steel pipe and fittings along with powder-coated cast-iron 23 cm diameter floor flange provide corrosion resistance in a long lasting product.

CONSTRUCTION

Eye/face wash and valve assembly are pre-built and fully water/pressure tested to ensure no leaks and proper function which ultimately reduces installation time.

The 28 cm round green ABS plastic receptor is resistant to damage from alkalis.

VALVE

Valve is designed to make the flushing of fluid occur with the push of a stainless steel flag, and is equipped with a stainless steel ball and stem to provide added protection against corrosion and breakage.

STRAINER

Chrome-plated brass in-line 50 x 50 mesh water strainer prevents debris from reaching the eyewash so the unit stays functioning at its best. Strainer is easily serviceable.

EYE/FACE WASH

AXION® MSR eye/face wash head uses an inverted directional laminar flow to sweep contaminants away from the vulnerable nasal cavity.

OPTIONS

- Scald Protect Bleed Valve: Model SP157A, stainless steel scald protection bleed valve. Automatic thermal actuator bleed valve opens when internal water temperature reaches 36.7° C and closes at 35° C.
- Thermostatic Mixing Valve: Model 9201EW AXION® Emergency Tempering Valve thermostatically mixes hot and cold water to provide a safe fluid supply for a single emergency eye/face wash, with a flow rate of 38.8 L.
- Thermostatic Mixing Valve: Model 9201EFE AXION® Emergency Tempering Valve thermostatically mixes hot and cold water to provide a safe fluid supply for a single emergency eye/face wash, with a flow rate of 38.8 L.
- Dust Cover: Model 9102 is a stainless steel cover that protects the eyewash heads as well as the bowl.

For more information, visit www.haws.ch or call + 41(0)34 420 60 00.

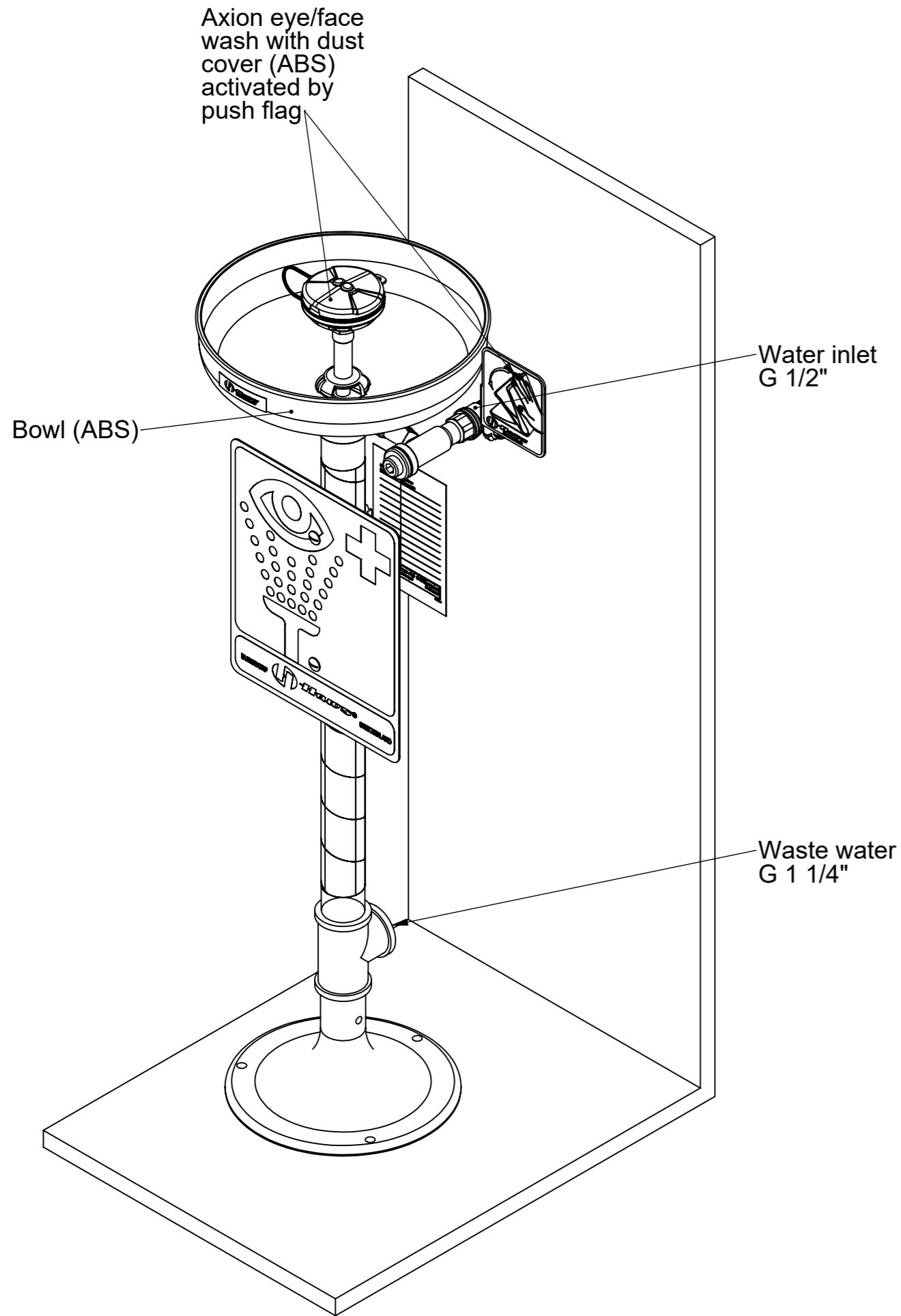


SPECIFICATIONS

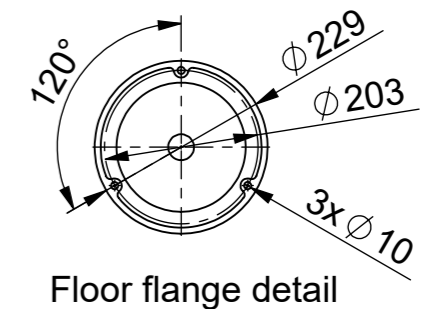
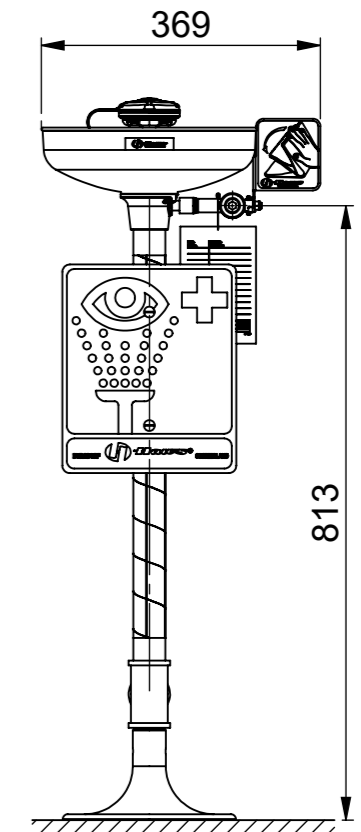
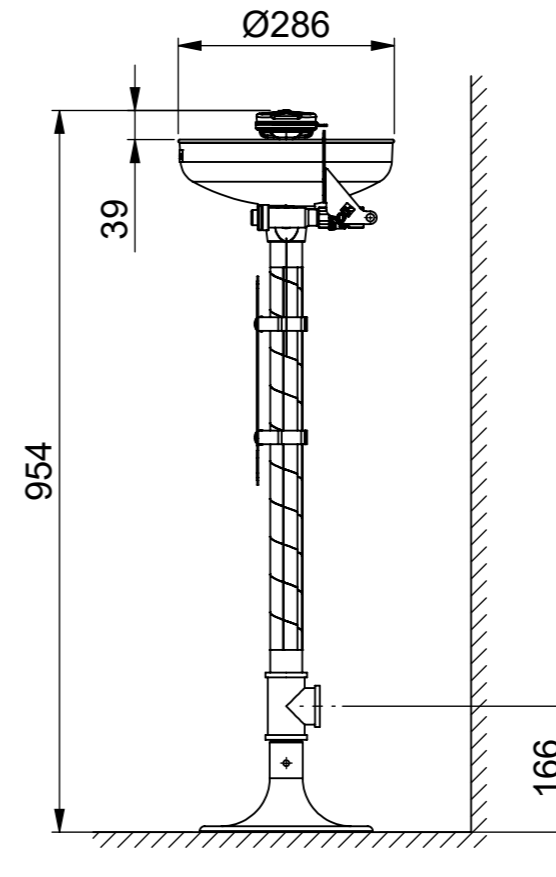
Model 7261-7271 pedestal eye/face wash shall include a green ABS plastic 28 cm bowl, an AXION® MSR eye/face wash head shall feature inverted directional laminar flow which achieves Zero Vertical Velocity™ supplied by an integral 14 L flow control, chrome-plated brass stay-open ball valve equipped with stainless steel ball and stem, and chrome-plated brass in-line 50 x 50 mesh water strainer. Unit shall also include 1-1/4" BSP galvanized steel pipe and fittings along with powder-coated cast-iron 23 cm diameter floor flange, yellow plastic pop-off dust cover for eyewash head,

APPLICATIONS

Where the eyes of any person may be exposed to injurious or corrosive materials, suitable facilities for quick flushing and cleansing of the eyes must be provided within the work area for immediate emergency use. Emergency eyewash facilities shall be in unobstructed and accessible locations that require no more than 10 seconds for the injured person to reach. Model 7261-7271 is certified by CSA to meet the ANSI Z358.1 Standard for Emergency Eyewash and Shower Equipment.



Piping in galvanized steel

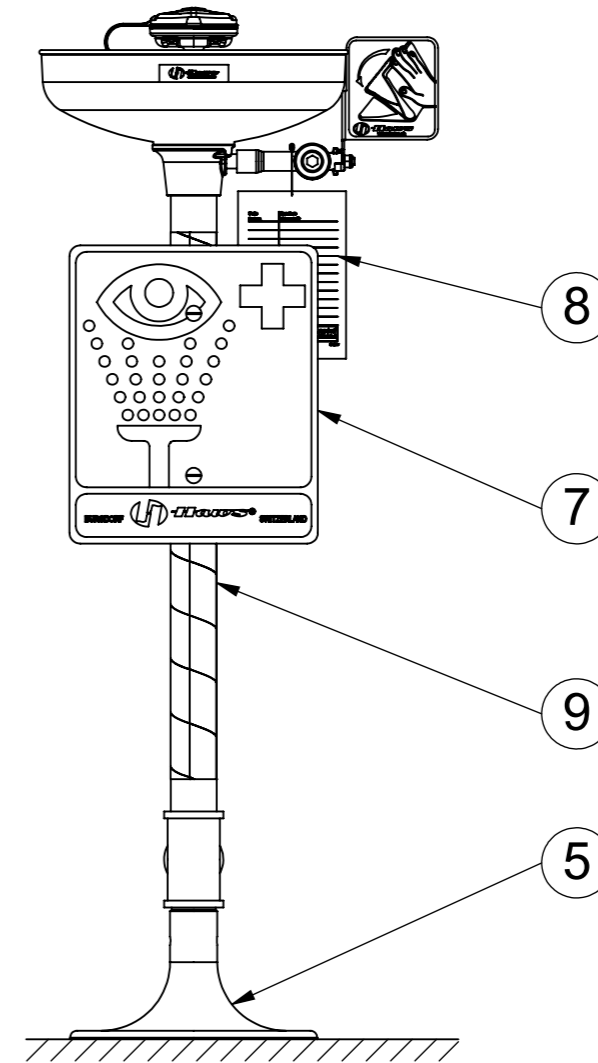
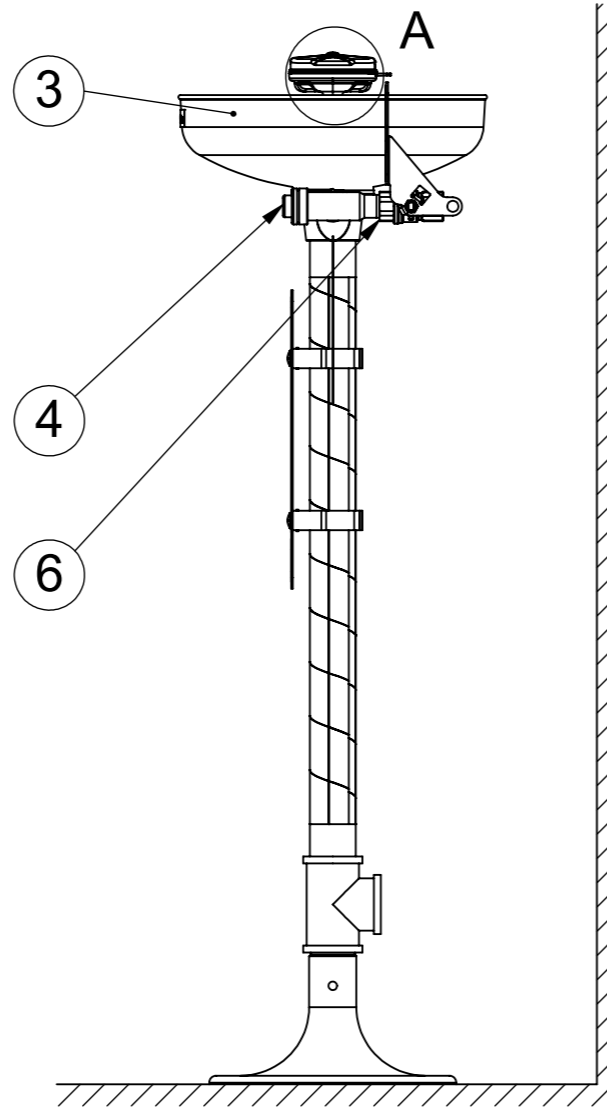
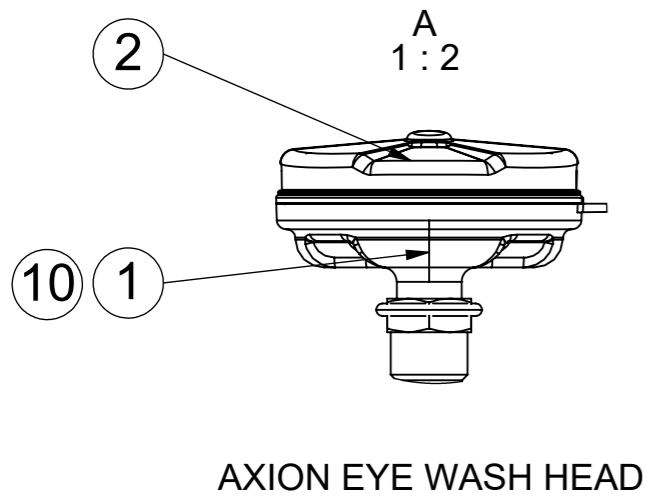


Weight: 8,4kg (18,5lbs)
 DIMENSIONS MAY VARY +/- 12,7mm (1/2")

| | | | | |
|--------------------------------|-------------|--------------|------------|--------------------------------|
| A | | | 16.02.2021 | drmi |
| REV | DESCRIPTION | ECN NO. | DATE | BY |
| CATEGORY | | REVISIONS | | TITLE |
| MATERIAL | | WEIGHT (kg) | | 7261 Axion |
| APPROVALS | | DATE | | SPECIFICATION |
| MODELLED | ruje | 02.10.2007 | | PART NO. 10004433 |
| DRAWN | ruje | 02.10.2007 | | |
| REVISED | drmi | 16.02.2021 | | |
| CHECKED | | 16.02.2021 | | SIZE |
| SCALE 1:5 | | SHEET 1 OF 2 | | DOCUMENT NO. 0009046 |
| General tolerances ISO 2768-mK | | | | REV. A |

T +41 (0)34 420 60 00
 F +41 (0)34 420 60 01
 BACHWEG 3
 CH3401 BURGENDORF
 SWITZERLAND
 www.haws.ch
 info@haws.ch


THIS DOCUMENT AND THE DATA DISCLOSED HEREIN OR HEREWITH IS NOT TO BE REPRODUCED, USED OR DISCLOSED IN WHOLE OR IN PART TO ANYONE WITHOUT THE PERMISSION OF HAWS CORPORATION.



PARTS BREAKDOWN

| ITEM | PART NU. | DESCRIPTION |
|------|----------|--------------------------|
| 1 | SP65 | Axion eye/face wash head |
| 2 | SP9091 | Dust Cover (ABS yellow) |
| 3 | SP93 | Bowl |
| 4 | SP509 | Strainer |
| 5 | SP75 | Floor flange |
| 6 | SP229 | Valve assembly |
| 7 | SP175 | Eye wash sign |
| 8 | SP170 | Test tag |
| 9 | SP185 | Stripe tape |
| 10 | SP37.5 | Flow control |

| REV | DESCRIPTION | ECN NO. | DATE | BY |
|-----|-------------|---------|------------|------|
| A | | | 16.02.2021 | drmi |
| - | | | | |

| CATEGORY | MATERIAL | TITLE |
|---|-------------|---------------|
|  <p>T +41 (0)34 420 60 00 F +41 (0)34 420 60 01</p> <p>BACHWEG 3 CH3401 BURGENDORF SWITZERLAND</p> <p>www.haws.ch info@haws.ch</p> | SURFACE | 7261 Axion |
| | WEIGHT (kg) | SPECIFICATION |
| | APPROVALS | DATE |
| | MODELLED | DATE |
| DRAWN | DATE | PART NO. |
| REVISED | DATE | 10004433 |
| CHECKED | DATE | SIZE |
| SCALE 1:7 | 16.02.2021 | A3 |
| General tolerances ISO 2768-mK | | DOCUMENT NO. |
| | | 0009046 |
| | | REV. |
| | | A |