

## FEATURES & BENEFITS

### CONSTRUCTION

1-1/4" Type 304 Stainless Steel pipe and fittings along with cast finished stainless steel 23 cm diameter floor flange provide a superior defense in a highly corrosive environment.

### VALVES

Type 316 Stainless Steel ball valve is designed to make the flushing of fluid occur with the simple push of a stainless steel flag, and is equipped with a stainless steel ball and stem to provide a superior protection against corrosion and breakage.

### STRAINERS/FILTERS

Type 304 Stainless Steel in-line 50 x 50 mesh water strainer supplies added protection against corrosion and prevents debris from reaching the eye/face wash so the 7777 stays functioning at its best. Strainer is easily serviceable. Stainless steel dust cover protects eye/face wash head as well as bowl up until the last second before use further optimizing operation.

### SAFETY

20.3 x 27.3 cm universal emergency sign make the unit easily detected in an emergency. Test card to record weekly checks helps maintain the unit's best working quality.

### EYE/FACE WASH

AXION<sup>®</sup> MSR eye/face wash head uses an inverted directional laminar flow to sweep contaminants away from the vulnerable nasal cavity.



## SPECIFICATIONS

Model 7777 stainless steel pedestal-mounted eye/face wash shall include a stainless steel 28 cm round bowl, an AXION<sup>®</sup> MSR eye/face wash head with inverted directional laminar flow which achieves Zero Vertical Velocity™ supplied by an integral 14 liter flow control, Type 316 stainless steel ball valve equipped with stainless steel ball and stem, and Type 304 stainless steel in-line 50 x 50 mesh water strainer. Unit shall also include Type 304 pipe, fittings, and floor flange, along with a yellow plastic dust cover, universal sign, 1/2" BSP inlet, and 1-1/4" BSP waste.

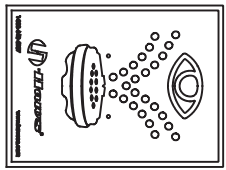
## OPTIONS

- Thermostatic Mixing Valve: Model 9201EW AXION<sup>®</sup> Emergency Tempering Valve thermostatically mixes hot and cold water to provide a safe fluid supply for a single emergency eye/face wash, with a flow rate of 38.8 L.
- Dust Cover: Model 9102 is a stainless steel cover that protects the eyewash heads as well as the bowl.
- Foot Treadle : Model SP220SS foot control assembly, including chain, clamp, nut, ring, screw, spring and stainless steel treadle.
- Thermostatic Mixing Valve: Model 9201EFE AXION<sup>®</sup> Emergency Tempering Valve thermostatically mixes hot and cold water to provide a safe fluid supply for a single emergency eye/face wash, with a flow rate of 38.8 L.

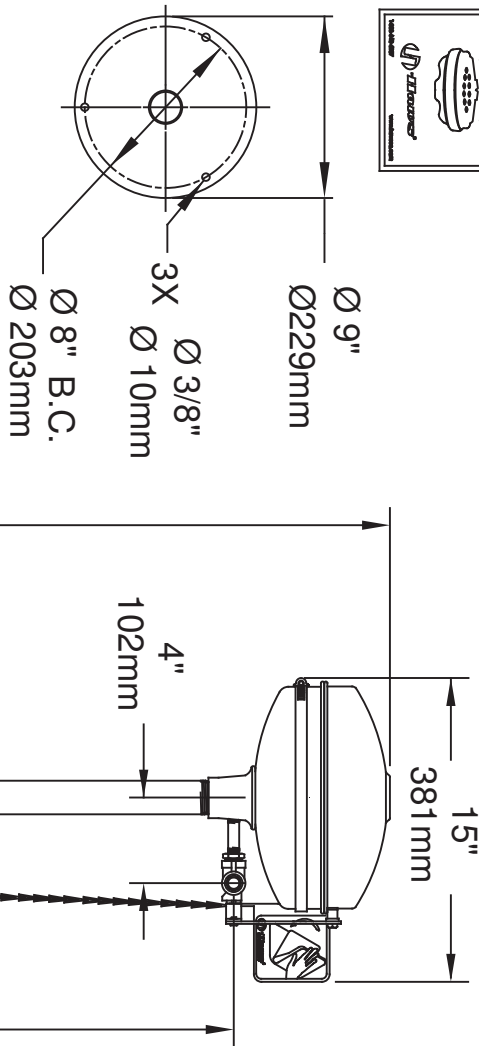
For more information, visit [www.haws.ch](http://www.haws.ch) or call + 41(0)34 420 60 00.

## APPLICATIONS

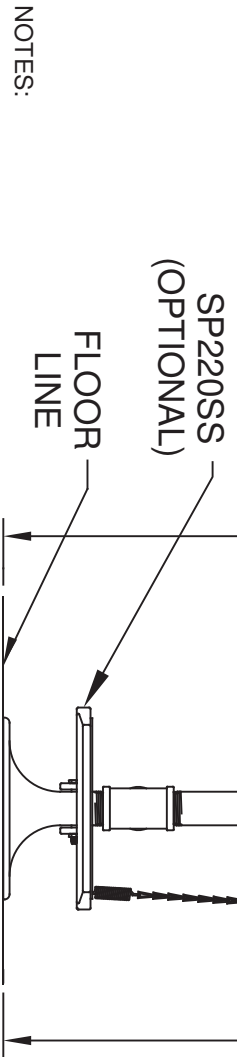
In an environment where materials need to withstand the greatest corrosion, where eyes and face of any person may be exposed to these injurious or corrosive materials, suitable facilities for quick drenching or flushing of the eyes and face shall be provided within the work area for immediate emergency use. Emergency eye/face wash facilities shall be in unobstructed and accessible locations that require no more than 10 seconds for the injured person to reach. Model 7777 meets the ANSI Z358.1 Standard for Emergency Eyewash and Shower Equipment.



**SIGN IS TO BE POSITIONED SUCH THAT IT IS VISIBLE WITHIN THE AREA SERVED BY THE EYEWASH**

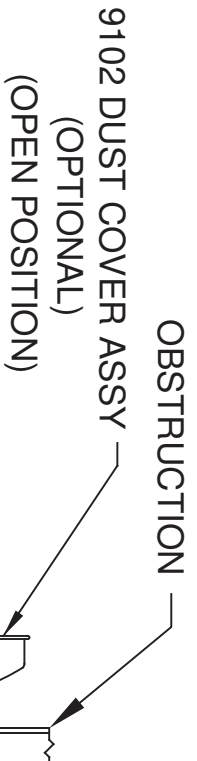


**MOUNTING DETAIL**

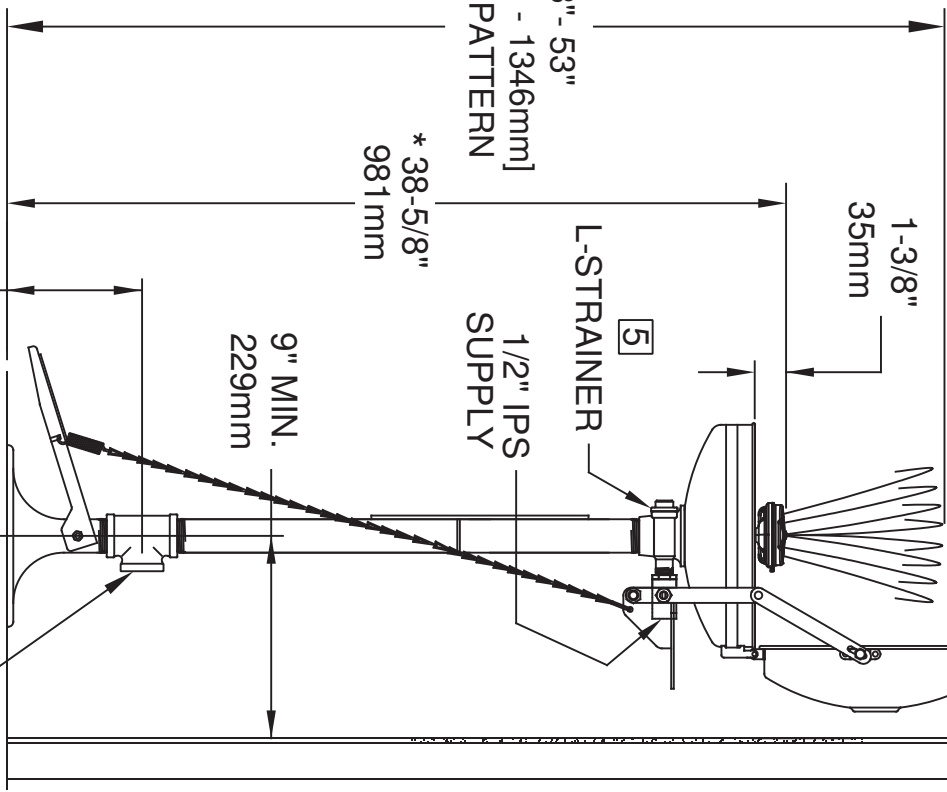


**NOTES:**

1. WHEN INSTALLING THIS UNIT, LOCAL, STATE, OR FEDERAL CODES SHOULD BE ADHERED TO FOR INSTALLATION DIMENSIONS (LOCATIONS), WASTE AND SUPPLY REQUIREMENTS OTHER THAN SHOWN.
2. TO COMPLY WITH ANSI Z358.1-2014 FOR EMERGENCY EYEWASH OR EYEFACE WASH: EYEWASH OR EYEFACE WASH SHALL BE POSITIONED SUCH THAT FLUSHING FLUID PATTERN IS NOT LESS THAN 33" (838mm) AND NO GREATER THAN 53" (1346mm) FROM SURFACE ON WHICH USER STANDS; AND 6.0" (153mm) MINIMUM FROM WALL OR NEAREST OBSTRUCTION.
3. CENTERLINE WASTE PLACED 9"[229mm] MIN FROM OBSTRUCTION.
- 4 DIM APPLIES WHEN OPTIONAL 9102 DUST COVER ASSEMBLY IS USED.
5 REMOVE 1/2" NPT PLUG TO GAIN ACCESS TO STRAINER FOR CLEANING. WHEN RE-ASSEMBLING STRAINER AND PLUG, MAKE SURE THAT STRAINER IS FULLY PRESSED INTO PLUG CAVITY, PRIOR TO THREADING PLUG INTO TEE.
6. \* DIMENSIONS MAY VARY BY ±1/2" (13 mm).



**OBSTRUCTION**  
 9102 DUST COVER ASSY (OPTIONAL) (OPEN POSITION)  
 33" - 53" [838mm - 1346mm] FLOW PATTERN



**Haws**

EATING REVISED PER BY: _____ DRAWN: EON:SS30 DATE: CHD: 08/11/20 APPROVED: DP DATE: 08/27/20 SCALE: 1/10 DRAWING TYPE: INSTALLATION SIZE: A   SHEET 1 OF 1 REVISION: 17	MODEL(S) 7777 PART NUMBER 0002080102.D REVISION	1455 KLEPPE LANE SPARKS, NEVADA 89431 (775) 359-4712 FAX (775) 359-7424 E-MAIL: HAWM@HAWSCO.COM WEBSITE: WWW.HAWSCO.COM
--	---	---