

FEATURES & BENEFITS

CONSTRUCTION

1-1/4" Stainless Steel pipe stanchion, galvanized fittings, and powder-coated cast-iron 23 cm diameter floor flange provide an unsurpassed durability in a long lasting product.

CONSTRUCTION

1.9 cm insulation and UV protected ABS plastic jacket prevent freezing down to temperature levels as low as -34.4° C to maintain optimal functioning conditions.

QUALITY CONTROL

Entire unit is pre-built and pressure tested to ensure a leak free installation.

VALVES

Automatic thermal actuator bleed valve opens when internal water temperature drops below 1.7° C and will not close until temperature reaches 5.6° C so the unit is protected against freezing if power fails to reach the heat traced cable. Brass eye/face wash and shower ball valves are equipped with stainless steel ball and stem.

TEMPERATURE CONTROL

230V thermostatically controlled heat traced cable provides the energy needed to keep the combination shower and eye/face wash from freezing in extreme conditions.

SHOWERHEAD

AXION[®] MSR ABS plastic drench showerhead uses a hydrodynamic design to give equal distribution of water throughout the entire footprint of flow.

EYE/FACE WASH

AXION[®] MSR eye/face wash head uses an inverted directional laminar flow to sweep contaminants away from the vulnerable nasal cavity.

OPTIONS

- Thermostatic Mixing Valve: Model 9201E AXION[®] Emergency Tempering Valve thermostatically mixes hot and cold water to provide a safe fluid supply for emergency showers and eyewash equipment, with a flow rate of 117.3 L.
- Emergency Alarm System: Model 9001, 1-1/4" 120 VAC emergency alarm and light system. Buzzer and flashing light are activated by an 1-1/4" double pole, double throw flow switch.
- AXION[®] MSR Showerhead: Model SP829SS, AXION[®] MSR stainless steel drench showerhead with integral 75.7 L flow control.
- ANSI Shower and Eyewash Testing Kit: Model 9011 ANSI compliance test kit.

For more information, visit www.haws.ch or call + 41(0)34 420 60 00.

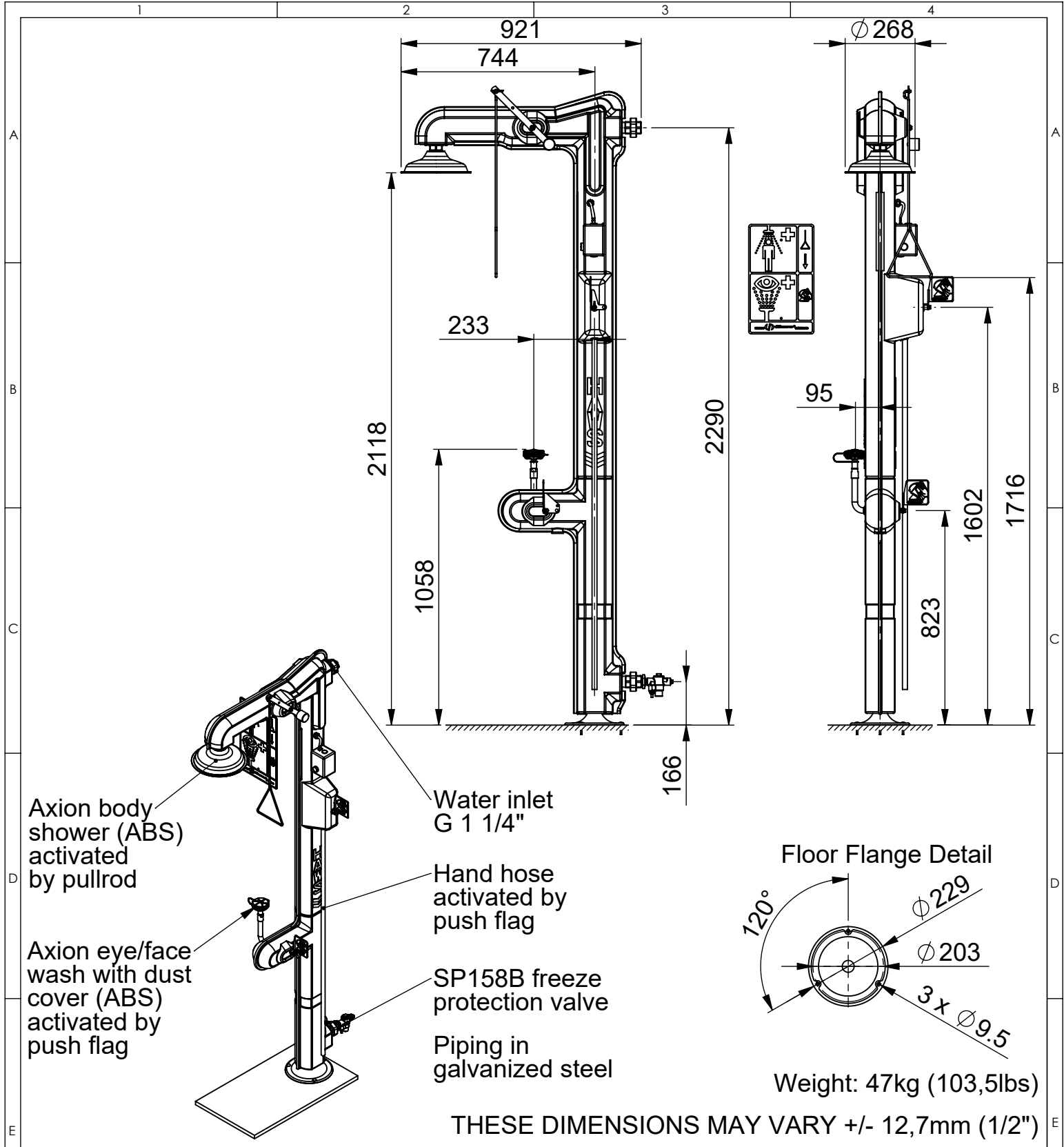


SPECIFICATIONS

Model 8317CTFP freeze protected 230V / AC cable heated combination shower and eye/face wash shall include the AXION[®] MSR hydrodynamic designed green ABS plastic 27 cm showerhead with integral self-regulating 75.7 L flow control, an AXION MSR eye/face wash head shall feature inverted directional laminar flow which achieves Zero Vertical Velocity™ supplied by an integral 14.6 L flow control, chrome-plated brass shower and eyewash ball valves equipped with stainless steel ball and stem, separate ball valve activated hose spray, and automatic thermal actuator freeze protection bleed valve. Unit shall also include thermostatically controlled electric heat traced cable protected by 1.9 cm insulation and UV protected ABS green plastic jacket that prevents freezing down to ambient temperatures of -34.4° C, powder-coated cast-iron 23 cm diameter floor flange, universal sign, and 1-1/4" BSP supply.

APPLICATIONS

Where the eyes, face, or body of any person may be exposed to injurious or corrosive materials, suitable facilities for quick drenching or flushing of the eyes, face, and body shall be provided within the work area for immediate emergency use. Unit is ideal for areas where temperature may fluctuate down to freezing levels as low as -34.44° C Emergency eye/face wash facilities and deluge showers shall be in unobstructed and accessible locations that require no more than 10 seconds for the injured person to reach. Model 8317CTFP meets the ANSI Z358.1 Standard for Emergency Eyewash and Shower Equipment. Model is CSA electrical certified, TYPE 4. (Nema 4 equivalent)



Axion body shower (ABS) activated by pullrod

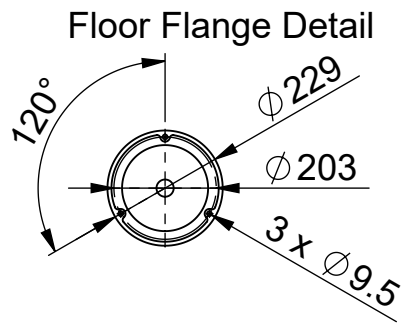
Water inlet G 1 1/4"

Hand hose activated by push flag

Axion eye/face wash with dust cover (ABS) activated by push flag

SP158B freeze protection valve

Piping in galvanized steel



Weight: 47kg (103,5lbs)

THESE DIMENSIONS MAY VARY +/- 12,7mm (1/2")

				01.10.2014	ruje
REV	DESCRIPTION	ECN NO.	DATE	BY	
REVISIONS					
CATEGORY		MATERIAL		TITLE	
				8317CTFP Axion	
<p>T +41 (0)34 420 60 00 F +41 (0)34 420 60 01</p> <p>BACHWEG 3 CH3401 BURGENDORF SWITZERLAND</p> <p>www.haws.ch info@haws.ch</p>		SURFACE		WEIGHT (kg)	
		APPROVALS		DATE	
		MODELLED		27.10.2010	
		DRAWN		27.10.2010	
		REVISED		01.10.2014	
ruje		01.10.2014		PART NO.	
CHECKED		25.03.2020		10004782	
bido		25.03.2020		SIZE	
SCALE 1:15		SHEET 1 OF 1		DOCUMENT NO.	
		General tolerances ISO 2768-mK		0012547	
				REV.	
				-	