



Haws®

model 7461 AXION

Pedestal mount eyewash – stainless steel bowl

FEATURES & BENEFITS

AXION FACE+EYEWASH HEAD

The patented AXION shower head with integral flow control delivers reliable a compliant water jet for rinsing eyes and face. The unique, centered AXION water jet eliminates the main issues of other eyewash systems to provide proper first aid.

LARGE BOWL

The 28 cm round type 304 stainless steel receptor is resistant to damage from alkaline, salt solutions, most acids and sun damage.

SAFE OPERATION

Face+eyewash and valve assembly is pre-built and fully water/pressure tested to ensure no leaks and proper function.

HIGH QUALITY

Valve is designed to make the flushing of fluid occur with the push of a stainless steel flag, and is equipped with a stainless steel ball and stem to provide added protection against corrosion and breakage.

ROBUST CONSTRUCTION

This eyewash is a rugged unit constructed of stainless steel bowl, 1 1/4" hot-dipped galvanized steel pipe, fittings and powder-coated cast-iron flange.

OPTIONS

- Stainless steel dust cover model 9102 protects the AXION eyewash head as well as the bowl.
- Foot control unit SP220 for hands-free operation of the eyewash.
- Proximity switch SP 165E for the activation of an external alarm system
- Dust Cover: Model 9102 is a stainless steel cover that protects the eyewash heads as well as the bowl. (Picture shows cover mounted to an eyewash.)
- Numerous solutions for the supply of tepid water

For more information, visit www.haws.ch or call + 41(0)34 420 60 00.



SPECIFICATIONS

Technical information

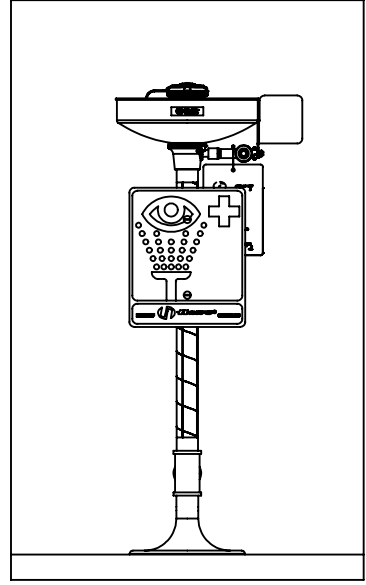
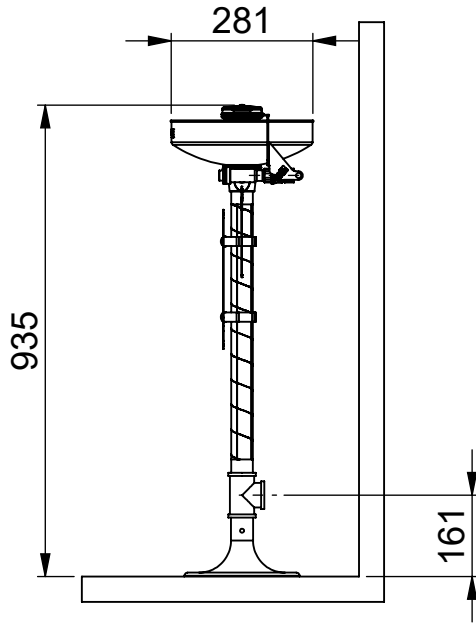
- Water flow: 14 liters/minute
- Application: indoor/outdoor
- Dimensions (H x W x D): 935 x 370 x 281 mm
- Water inlet: G 1/2"
- Water outlet: G 1 1/4"

Characteristics

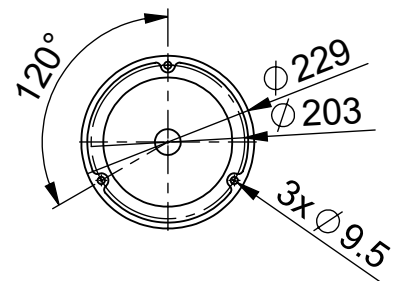
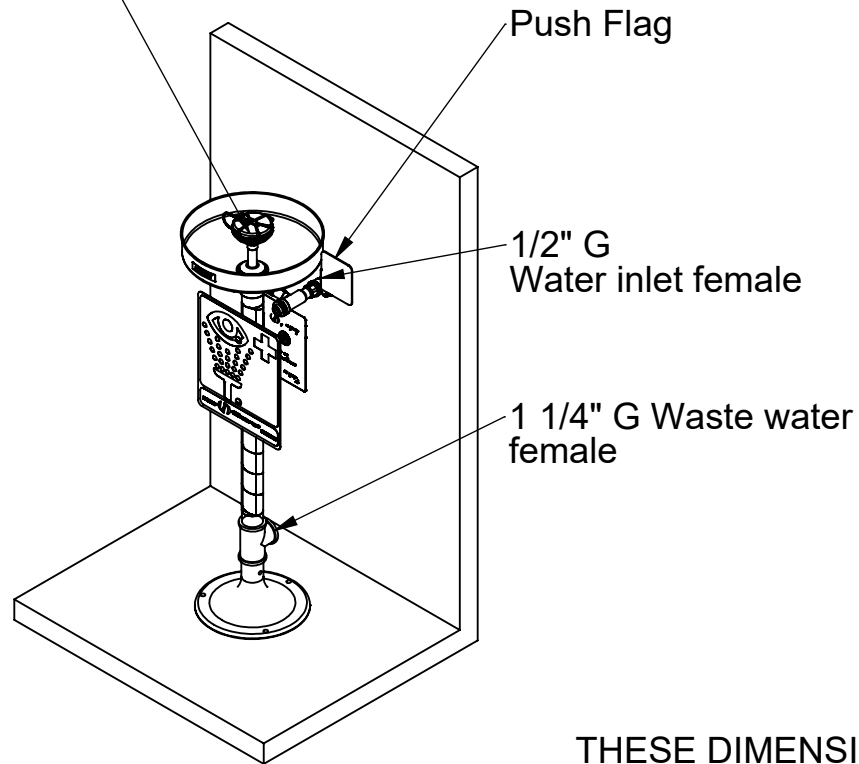
- Pre-built and fully water/pressure tested
- Increased safety due to AXION face+eyewash head and integral flow control
- Corrosion resistant 28 cm type 304 stainless steel bowl
- Reliable chrome-plated brass stay-open ball valve with stainless steel ball and stem
- Chrome-plated brass in-line mesh strainer to prevent debris
- Hot-dipped galvanized steel pipe and fittings
- Powder-coated cast-iron 23 cm diameter floor flange
- Including universal safety sign
- Wide range of options for adapting to on-site requirements

APPLICATIONS

The Haws eyewash model 7461 AXION is the optimal solution for industrial applications where high corrosion resistance is required. It complies to the standards EN 15154-2 and ANSI Z358.1. The stainless steel bowl makes this permanently installed face+eye wash corrosion resistant and very rugged. The patented AXION shower head delivers reliable a compliant water jet for rinsing simultaneously eyes and face. The unique, centered AXION water jet eliminates the main issues of other eyewash systems to provide proper first aid.




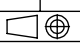
Axion eye/face wash



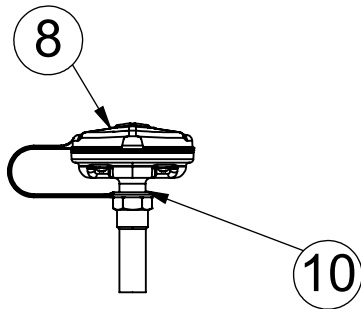
Floor Flange Detail

Weight: 8,9kg (19,6lbs)

THESE DIMENSIONS MAY VARY +/- 12,7mm (1/2")

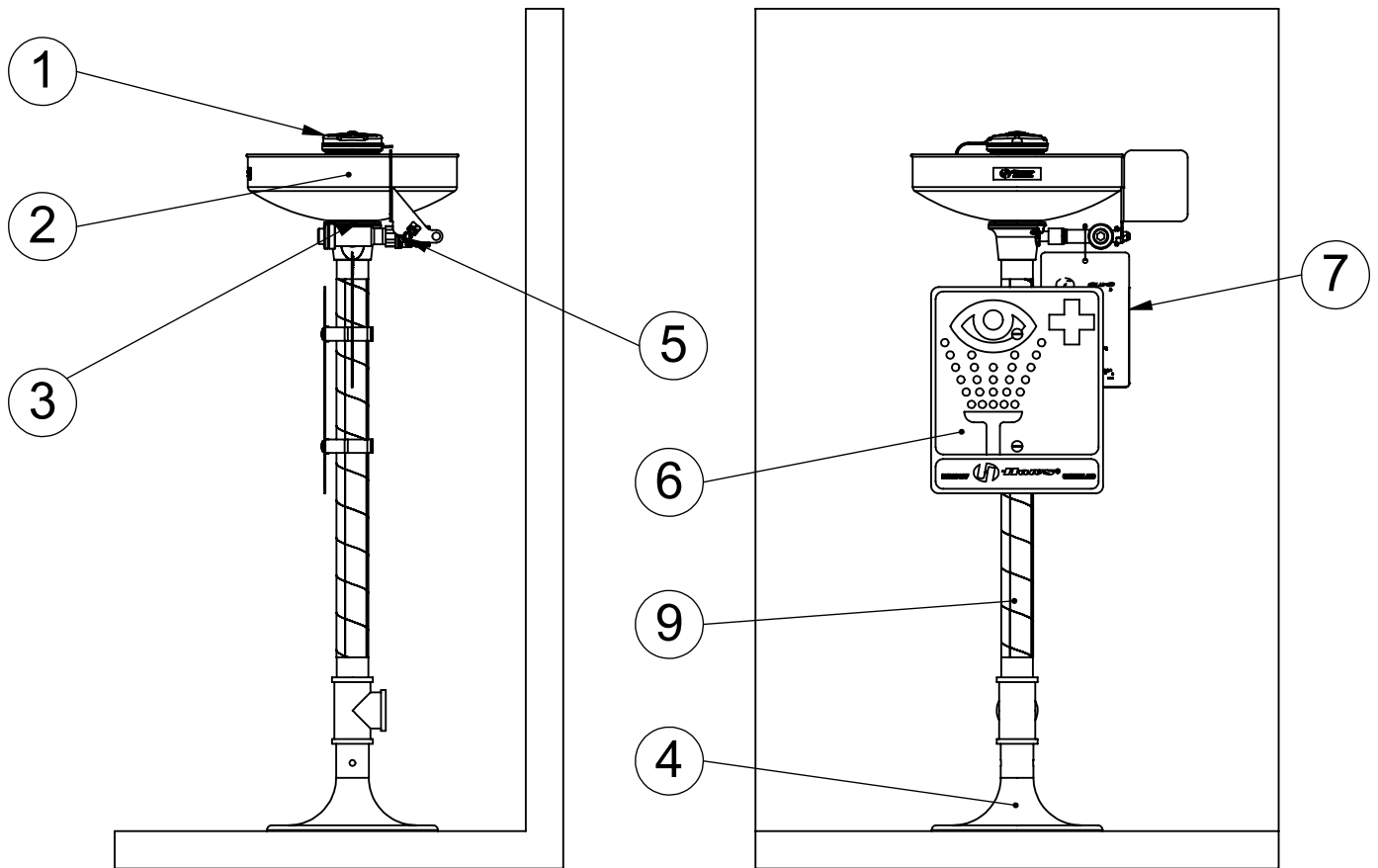
A	general update		18.02.2021	tara		
REV	DESCRIPTION	ECN NO.	DATE	BY		
REVISIONS						
CATEGORY	MATERIAL		TITLE			
	SURFACE		WEIGHT (kg)			
	APPROVALS		DATE			
	MODELLED Jeannine Ruf		24.10.2012			
	DRAWN		24.10.2012			
	REVISED tara		18.02.2021			
CHECKED tara		20.09.2022		SPECIFICATION		
SCALE 1:5				SHEET 1 OF 2		
THIS DOCUMENT AND THE DATA DISCLOSED HEREIN OR HEREWITH IS NOT TO BE REPRODUCED, USED, OR DISCLOSED IN WHOLE OR IN PART TO ANYONE WITHOUT THE PERMISSION OF HAWS CORPORATION.		General tolerances ISO 2768-mK		SIZE	DOCUMENT NO.	REV.
				A4	0020555	A
T +41 (0)34 420 60 00 F +41 (0)34 420 60 01		BACHWEG 3 CH3401 BURGDORF SWITZERLAND		www.haws.ch info@haws.ch		
CATEGORY MATERIAL SURFACE APPROVALS MODELLED DRAWN REVISED CHECKED		WEIGHT (kg) DATE DATE DATE DATE		TITLE 7461 Axion SPECIFICATION Eye/Face wash Ø230mm x 140mm PART NO. 10004486		


PARTS BREAKDOWN



SP65

ITEM	PART NU.	DESCRIPTION
1	SP65	Axion eye/face wash head
2	SP90	Bowl SS
3	SP509	Strainer
4	SP75	Floor flange
5	SP229	Valve assembly
6	SP175	Eye wash sign
7	SP170	Test tag
8	SP9091	Dust cover (ABS yellow)
9	SP185	Stripe tape
10	SP37.5	Flow control



A	general update		18.02.2021	tara
REV	DESCRIPTION	ECN NO.	DATE	BY
REVISIONS				
CATEGORY ASSEMBLY DRAWING		MATERIAL -		TITLE 7461 Axion
 <p>T +41 (0)34 420 60 00 F +41 (0)34 420 60 01</p> <p>BACHWEG 3 CH3401 BURG DORF SWITZERLAND</p> <p>www.haws.ch info@haws.ch</p>		SURFACE -		WEIGHT (kg) 0.16
		APPROVALS		DATE
		MODELLED RuJe		22.06.2015
		DRAWN		24.10.2012
REVISED tara		18.02.2021	PART NO. 10004486	
CHECKED tara		20.09.2022	SIZE A4	DOCUMENT NO. 0020555
SCALE 1:8.5		General tolerances ISO 2768-mK	SHEET 2 OF 2	REV. A

THIS DOCUMENT AND THE DATA DISCLOSED HEREIN OR HEREWITH IS NOT TO BE REPRODUCED, USED, OR DISCLOSED IN WHOLE OR IN PART TO ANYONE WITHOUT THE PERMISSION OF HAWS CORPORATION.