



Haws® model 7778B AXION

Wall mount eye wash – all stainless steel

FEATURES & BENEFITS

AXION FACE+EYE WASH HEAD

The patented AXION shower head with integral flow control delivers reliable a compliant water jet for rinsing eyes and face. The unique, centered AXION water jet eliminates the main issues of other eye wash systems to provide proper first aid.

HIGHEST CORROSION RESISTANCE

The type 304 stainless all stainless steel components makes this eye wash resistant to damage from alkaline, salt solutions, most acids and sun damage.

SAFE OPERATION

Stainless steel type 304 in-line mesh strainer prevents debris from reaching the eye wash so the unit stays functioning at its best. Strainer is easily serviceable

HIGH QUALITY

Eye wash and valve assembly is pre-built and fully water/pressure tested to ensure no leaks and proper function.

OPTIONS

- Stainless steel dust cover model 9102 protects the AXION eye wash head as well as the bowl.
- Proximity switch SP 165E for the activation of an external alarm system.
- Numerous solutions for the supply of tepid water

For more information, visit www.haws.ch or call + 41(0)34 420 60 00.



SPECIFICATIONS

Technical information

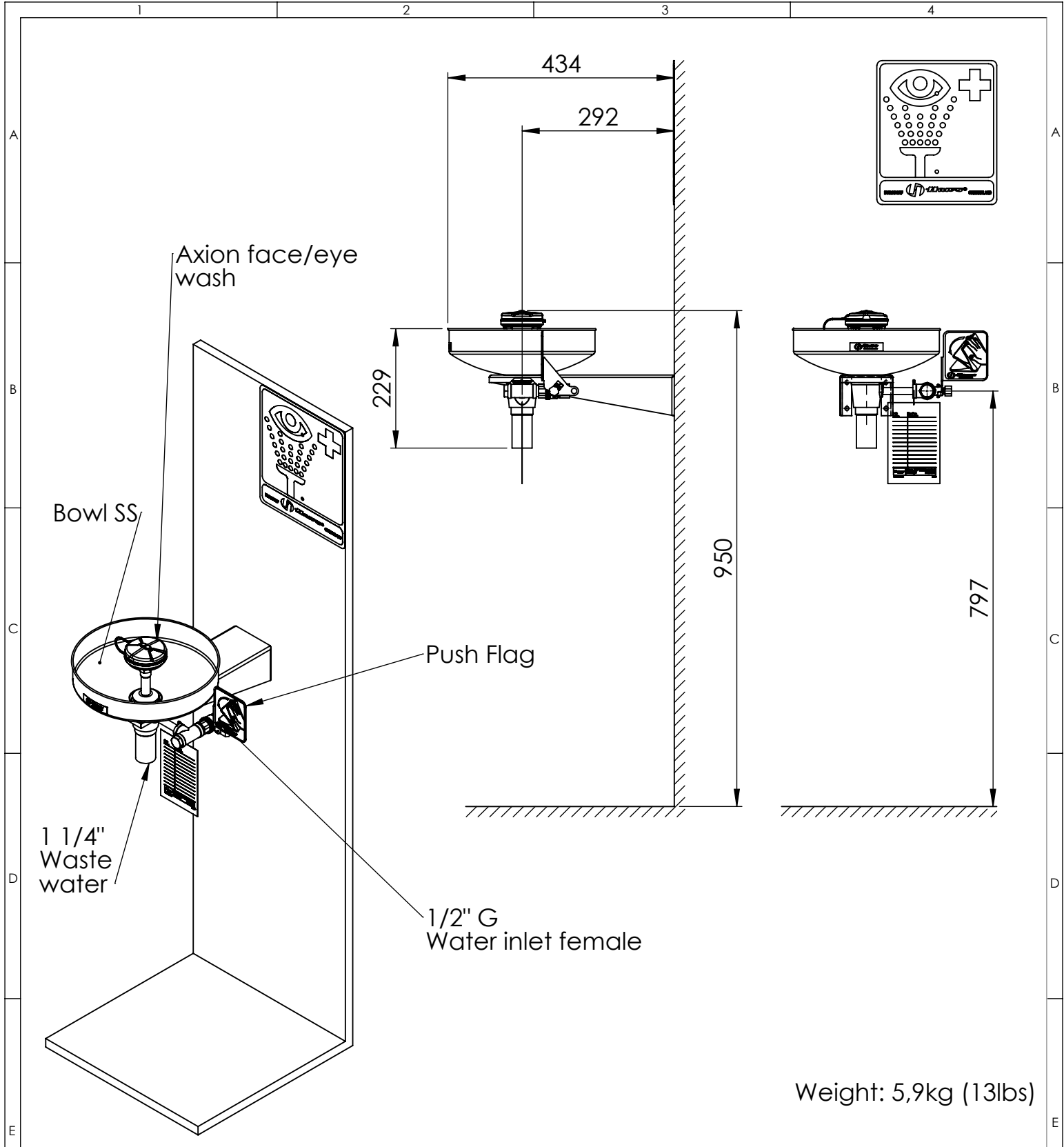
- Water flow: 14 liters/minute
- Application: indoor/outdoor
- Dimensions (H x W x D): 300 x 381 x 470 mm
- Water inlet: G 1/2"
- Water outlet: G 1"

Characteristics


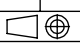
- Pre-built and fully water/pressure tested
- Increased safety due to AXION face+eyewash head and integral flow control
- Corrosion resistant 28 cm type 304 stainless steel bowl
- Reliable stainless steel type 304 ball valve equipped with stainless steel ball and stem
- Stainless steel type 304 in-line mesh strainer to prevent debris
- Robust stainless steel type 304 wall bracket
- Including universal safety sign
- Wide range of options for adapting to on-site requirements

APPLICATIONS

The Haws eye wash model 7778B AXION is the optimal solution for industrial applications where highest corrosion resistance is required. It complies to the standards EN 15154-2 and ANSI Z358.1. All components are made of stainless steel and makes this permanently installed face+eye wash extremely corrosion resistant and very rugged. The patented AXION shower head delivers reliable a compliant water jet for rinsing simultaneously eyes and face. The unique, centered AXION water jet eliminates the main issues of other eye wash systems to provide proper first aid.

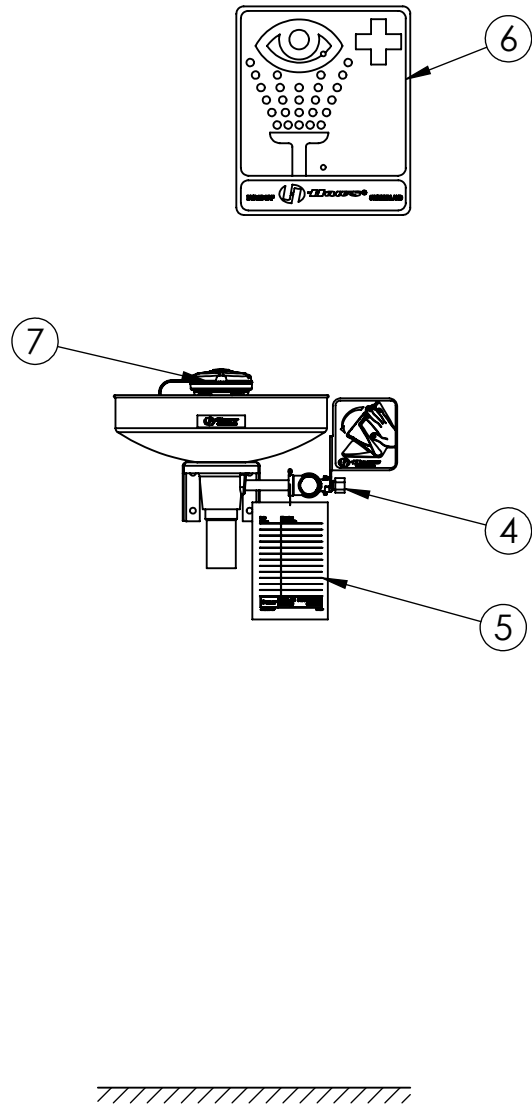
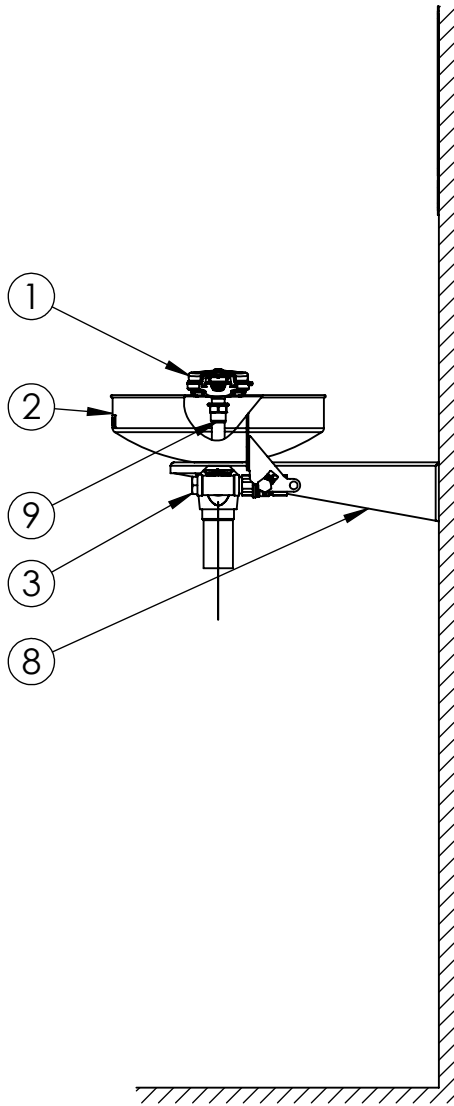


Weight: 5,9kg (13lbs)

A			22.02.2021	drmi
REV	DESCRIPTION	ECN NO.	DATE	BY
REVISIONS				
CATEGORY	MATERIAL		TITLE	
	SURFACE		WEIGHT (kg)	
	APPROVALS		DATE	
	MODELLED	ruje	22.02.2011	
	DRAWN	busi	22.02.2011	
	REVISED	drmi	22.02.2021	
CHECKED		tara	20.09.2022	
SCALE 1:10				SHEET 1 OF 2
THIS DOCUMENT AND THE DATA DISCLOSED HEREIN OR HEREWITH IS NOT TO BE REPRODUCED, USED, OR DISCLOSED IN WHOLE OR IN PART TO ANYONE WITHOUT THE PERMISSION OF HAWS CORPORATION.		General tolerances ISO 2768-mK		SIZE A4
T +41 (0)34 420 60 00 F +41 (0)34 420 60 01		BACHWEG 3 CH3401 BURGDORF SWITZERLAND		www.haws.ch info@haws.ch
		SPECIFICATION 7778B Axion Wall mounted face/eye wash		PART NO. 10004589
		DOCUMENT NO. 0008860		REV. A

PARTS BREAKDOWN

ITEM	PART NU.	DESCRIPTION
1	SP65SS	Axion eye/face wash head
2	SP90	Bowl
3	SP509SS	Strainer
4	SP228	Valve assembly
5	SP170	Test tag
6	SP175	Eye wash sign
7	SP9091	Dust Cover ABS yellow
8	SP80.2	Bracket
9	SP37.5	Flow control



PARTS BREAKDOWN



WHEN ORDERING PARTS PLEASE SPECIFY YOUR MODEL NUMBER

T +41 (0)34 420 60 00
F +41 (0)34 420 60 01

BACHWEG 3
CH3401 BURGENDORF
SWITZERLAND

www.haws.ch
info@haws.ch

TITLE
7778B Axion
Eye/Face Wash

APPROVALS	DATE
DRAWN Jeannine Ruf	22.02.2011
CHECKED Jeannine Ruf	20.09.2022
REVISED Jeannine Ruf	20.09.2022
DRAW-NO.	
ECN NO.	

MATERIAL
10004589

SIZE PART NO. REV.
A4 2080103/1

ZONE	REV	DESCRIPTION	ECN	DATE	BY
REVISIONS					

THIS DOCUMENT AND THE DATA DISCLOSED HEREIN OR HEREWITH IS NOT TO BE REPRODUCED, USED, OR DISCLOSED IN WHOLE OR IN PART TO ANYONE WITHOUT THE PERMISSION OF HAWS CORPORATION.

SCALE 1:10 SHEET 2 OF 2