

FEATURES & BENEFITS

AXION FACE+EYE WASH HEAD

The patented AXION® shower head with integral flow control delivers reliable a compliant water jet for rinsing eyes and face. The unique, centered AXION water jet eliminates the main issues of other eye wash systems to provide proper first aid.

AXION BODY SHOWER NOZZLE

The hydrodynamic designed AXION nozzle of the drench shower delivers a soft and homogenous flow across the entire footprint for highly efficient flushing of the entire body.

HIGH QUALITY

Face+eye wash station and showerhead and valve assemblies are pre-built and fully water/pressure tested to ensure no leaks and proper function.

ROBUST CONSTRUCTION

This combination shower is a rugged unit constructed of, 1 1/4" hot-dipped galvanized steel pipe, fittings and powder-coated cast-iron flange.

LARGE FACE+EYEWASH BOWL

The 28 cm round type 304 stainless steel receptor is resistant to damage from alkaline, salt solutions, most acids and sun damage.

OPTIONS

- Foot control unit SP220 for hands-free operation of the eyewash.
- Emergency alarm system EU 9001.230V.DPDT with amber flashing light and alarm horn at 90 db.
- Stainless steel dust cover model 9102 protects the AXION eyewash head as well as the bowl.
- Privacy curtain model EU 9037 provides shower privacy for removal of contaminated clothing.
- Numerous solutions for the supply of tepid water

For more information, visit www.haws.ch or call + 41(0)34 420 60 00.



SPECIFICATIONS

Technical information

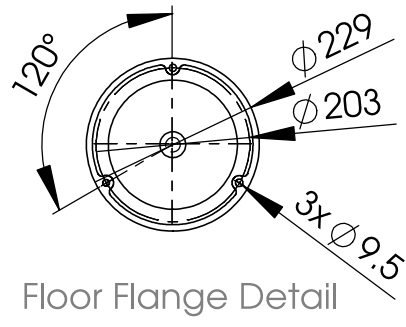
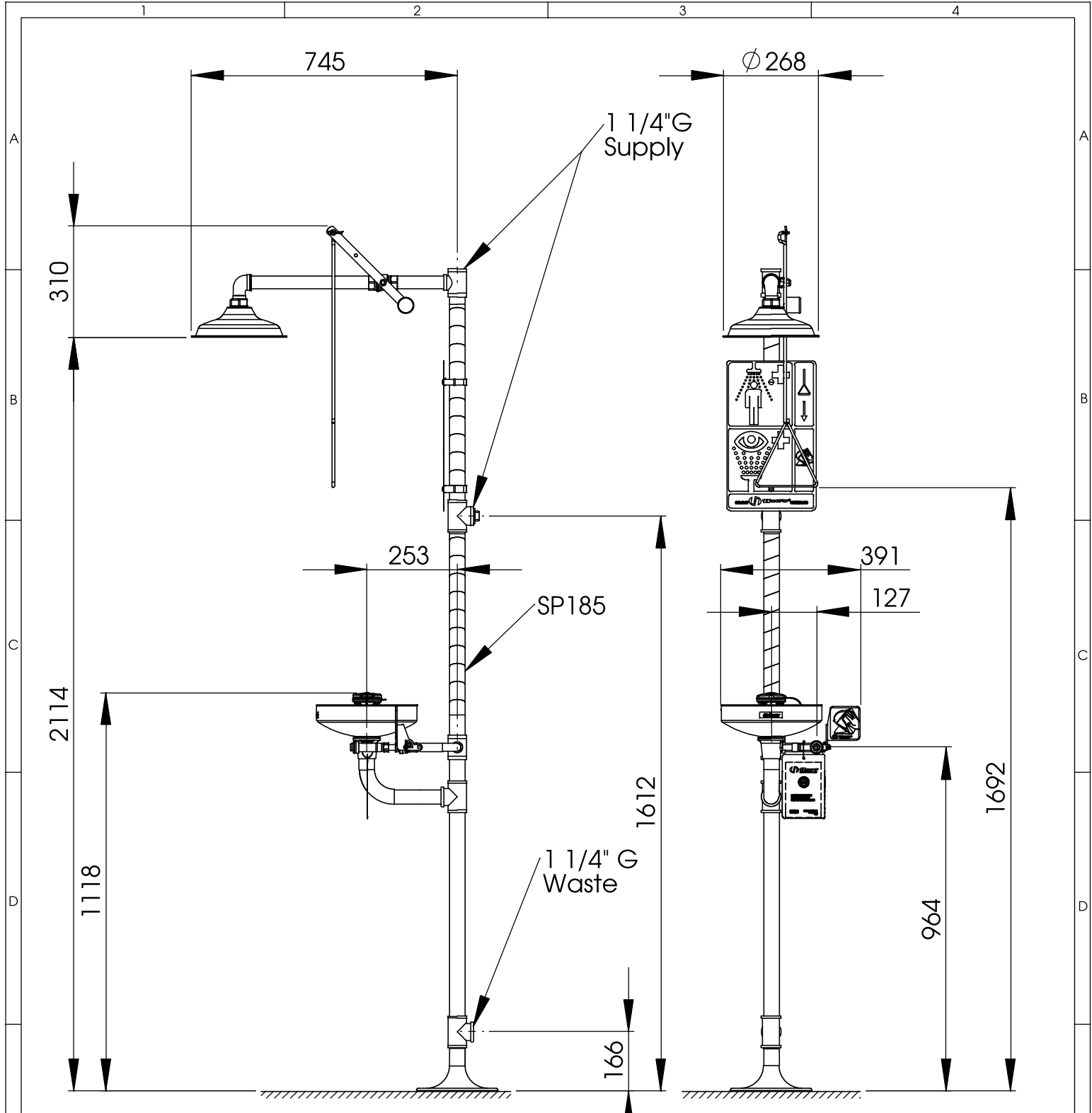
- Water flow body shower: 76 liters/minute
- Water flow face+eye wash: 14 liters/minute
- Dimensions (H x W x D): 2363 x 351 x 902 mm
- Water inlet: G 1 1/4" / Water outlet: G 1 1/4"

Characteristics

- Pre-built and water/pressure tested
- Increased safety due to AXION face+eyewash head, AXION shower nozzle and integral flow control
- Corrosion resistant 28 cm type 304 stainless steel bowl
- Durable 28 cm green ABS plastic shower head
- Reliable chrome-plated brass stay-open ball valves with stainless steel ball and stem
- Chrome-plated brass in-line mesh strainer to prevent debris from reaching the eyewash
- 1 1/4" hot-dipped galvanized steel pipe and fittings
- Powder-coated cast-iron 23 cm diameter floor flange
- Including universal safety sign
- Wide range of options for adapting to on-site requirements

APPLICATIONS

The Haws® combination safety shower 8300 AXION consists of an safety body shower with ABS head and an eyewash station with stainless steel bowl. It is the optimal solution for many industrial applications and complies to the standards EN 15154-1, EN 15154-2 and ANSI Z358.1. The combination safety shower 8300 AXION comprises an AXION® overhead drench shower and an AXION face+eyewash. The eyewash is activated by a push plate and delivers reliable a compliant water jet for rinsing simultaneously eyes and face. The AXION nozzle of the drench shower is activated by a pull-down handle and delivers a soft and homogenous flow across the entire footprint. The unique AXION system eliminates the main issues of other safety showers and eyewash systems to provide proper first aid.



Weight: 20kg (44lbs)
 THESE DIMENSIONS MAY VARY +/- 12,7mm (1/2")

DATA SHEET



T +41 (0)34 420 60 00
 F +41 (0)34 420 60 01
 BACHWEG 3
 CH3401 BURGENDORF
 SWITZERLAND
 www.haws.ch
 info@haws.ch

TITLE
8300 Axion
 Combination Shower and Eye Wash

APPROVALS	DATE
DRAWN Jeannine Ruf	17.09.2010
CHECKED Jeannine Ruf	17.09.2010
REVISED Jeannine Ruf	21.10.2011
DRAW-NO.	
ECN NO.	

MATERIAL

SIZE PART NO.
A4 2080162/2

SCALE 1:15
 SHEET 3 OF 4

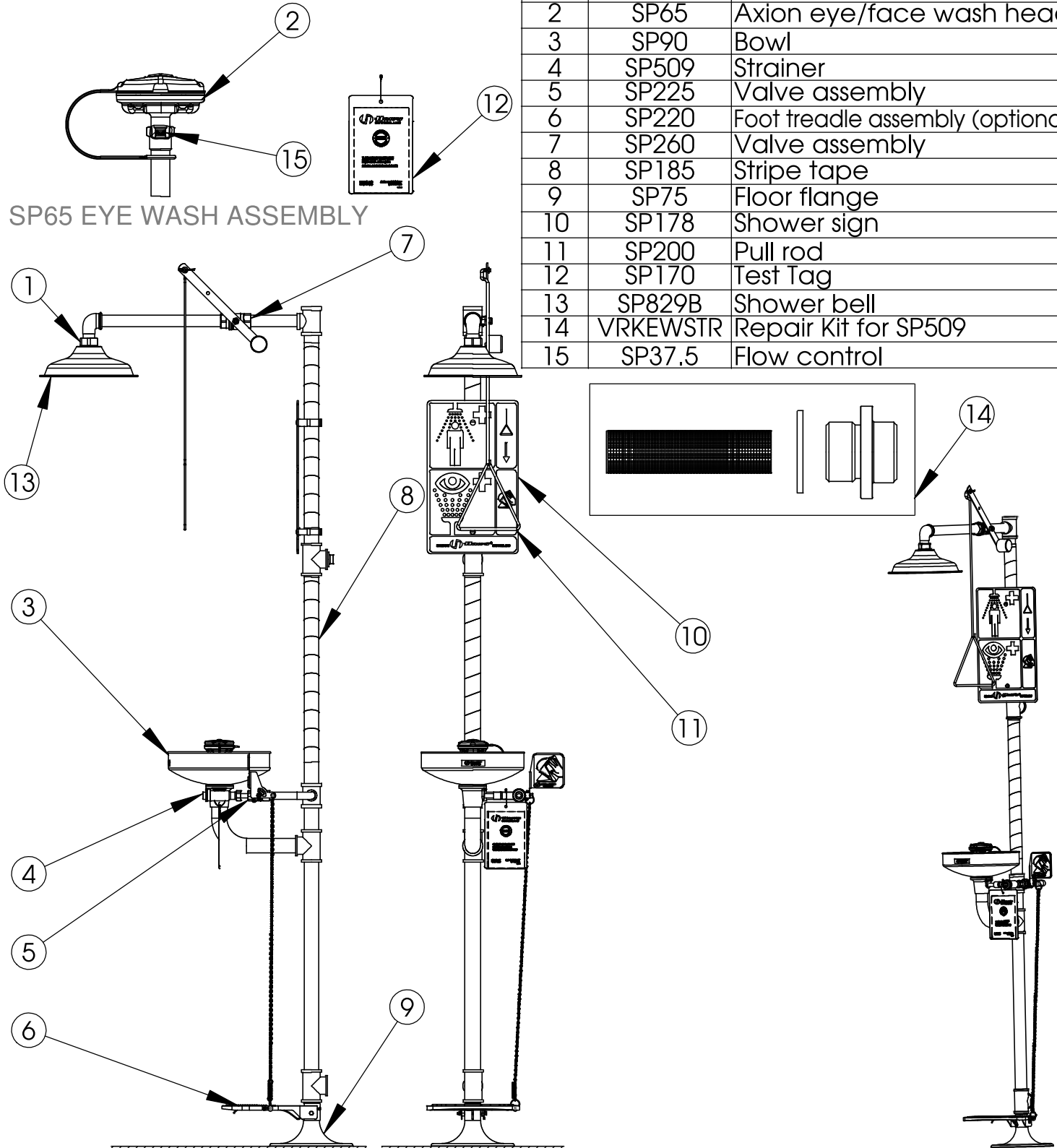
ZONE	REV	DESCRIPTION	ECN	DATE	BY
REVISIONS					

THIS DOCUMENT AND THE DATA DISCLOSED HEREIN OR HEREWITH IS NOT TO BE REPRODUCED, USED, OR DISCLOSED IN WHOLE OR IN PART TO ANYONE WITHOUT THE PERMISSION OF HAWS CORPORATION.

PARTS BREAKDOWN

ITEM	PART NU.	DESCRIPTION
1	SP829	Axion shower head
2	SP65	Axion eye/face wash head
3	SP90	Bowl
4	SP509	Strainer
5	SP225	Valve assembly
6	SP220	Foot treadle assembly (optional)
7	SP260	Valve assembly
8	SP185	Stripe tape
9	SP75	Floor flange
10	SP178	Shower sign
11	SP200	Pull rod
12	SP170	Test Tag
13	SP829B	Shower bell
14	VRKEWSTR	Repair Kit for SP509
15	SP37.5	Flow control

SP65 EYE WASH ASSEMBLY



PARTS BREAKDOWN

WHEN ORDERING PARTS PLEASE SPECIFY YOUR MODEL NUMBER

APPROVALS	DATE
DRAWN Jeannine Ruf	17.09.2010
CHECKED Jeannine Ruf	17.09.2010
REVISED Jeannine Ruf	21.10.2011
DRAW-NO.	
ECN NO.	



T +41 (0)34 420 60 00
F +41 (0)34 420 60 01
BACHWEG 3
CH3401 BURG DORF
SWITZERLAND
www.haws.ch
info@haws.ch

TITLE
8300 Axion
Combination Shower and Eye Wash

MATERIAL

SIZE PART NO.
A4 2080162/2

SCALE 1:15 SHEET 4 OF 4

ZONE	REV	DESCRIPTION	ECN	DATE	BY
		REVISIONS			

THIS DOCUMENT AND THE DATA DISCLOSED HEREIN OR HEREWITH IS NOT TO BE REPRODUCED, USED, OR DISCLOSED IN WHOLE OR IN PART TO ANYONE WITHOUT THE PERMISSION OF HAWS CORPORATION.