

## FEATURES & BENEFITS

### CONSTRUCTION

1-1/4" hot-dipped galvanized steel pipe and BSP fittings along with powder-coated cast-iron 23 cm diameter floor flange provide corrosion resistance in a long lasting product.

### VALVES

Self-draining eyewash and shower valves are designed to make the flushing of fluid remains occur with the simple push of either of the individual push plates. Special self-draining feature prevents the unit from freezing.

### PUSH PLATE OPERATION

Large zinc-plated push plates with graphics are clearly labeled on how to operate the equipment so no time is wasted when an emergency arises.

### SHOWERHEAD

AXION® MSR ABS plastic drench showerhead uses a hydrodynamic design to give equal distribution of water throughout the entire footprint of flow.

### FLOW CONTROLS

Green ABS designed plastic showerhead and anti-surge Soft-Flo eyewash heads equipped with integral 75.7 L flow shower control and built in 4.5 L eyewash flow control allow both parts of the emergency equipment to be safely used simultaneously. Flow controls provide the optimal water flow for an ideal coverage area.

## OPTIONS

- Test Tag: SP170 is a green waterproof test card with space for date and initials of inspector. Used to record weekly testing of emergency equipment.
- AXION® MSR Showerhead: Model SP829SS, AXION® MSR stainless steel drench showerhead with integral 75.7 L flow control.
- Three Sided Safety Sign: Model 9020 green and yellow ABS plastic 3-sided high visibility sign.
- ANSI Shower and Eyewash Testing Kit: Model 9011 ANSI compliance test kit.

For more information, visit [www.haws.ch](http://www.haws.ch) or call + 41(0)34 420 60 00.



## SPECIFICATIONS

Model 8300FP AXION freeze protected combination shower and eyewash shall include an AXION MSR showerhead with integral self-regulating 75.7 L flow control, stainless steel 28 cm round bowl, stainless steel eyewash yoke assembly with Soft-Flo ABS plastic eyewash anti-surge heads with integral flow controls and dust covers, two self-draining bury valves with available frost-line depths of 61 and 106.7 cm depths, two large zinc-plated steel push plates with universal graphics, powder-coated cast-iron 23 cm diameter floor flange, universal sign, 3/4" BSP and 1-1/4" BSP inlet, and 1-1/4" BSP outlet.

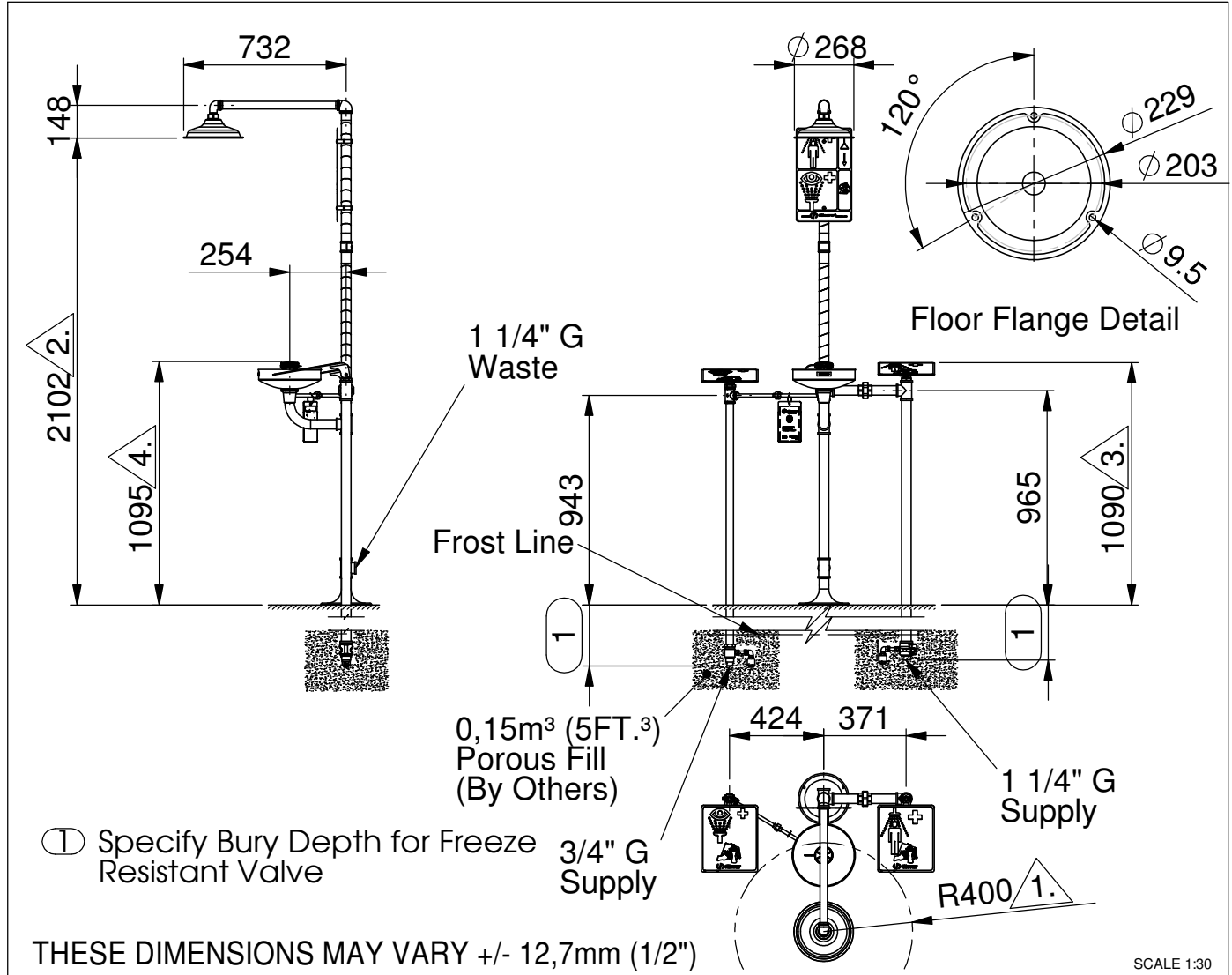
REQUIRES MODEL MK8A & MK81A PRICED SEPARATELY.

## APPLICATIONS

Where the eyes or body of any person may be exposed to injurious or corrosive materials, suitable facilities for quick drenching or flushing of the eyes and body shall be provided within the work area for immediate emergency use. Emergency eyewash facilities and deluge showers shall be in unobstructed and accessible locations that require no more than 10 seconds for the injured person to reach. Model 8300FP AXION meets the ANSI Z358.1 Standard for Emergency Eyewash and Shower Equipment.

**Model 8300FP Axion Eye Wash & Shower Freeze Proof** No.2080163/1

NOTE TO INSTALLER: please leave this information with the maintenance department.

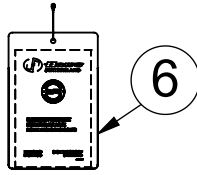
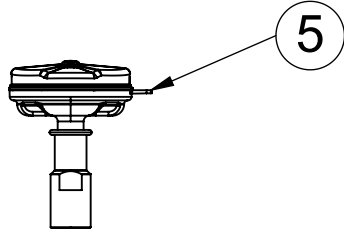

**Legally-stipulated dimensions:**

1. There must be a minimum clearance radius of 400 mm / 1' 3 3/4" (not counting operating controls and eyewasher units) between a vertical line running down from the shower head and the nearest obstacle (wall, vertical inlet pipe or similar).
2. Height above floor level: 2100mm - 2300mm (6' 10 1/2" - 7' 6 1/2").
3. The operating controls must be no higher than 1750mm (5' 9") above floor level (while conforming to local regulations).
4. Height above floor level: 800mm - 1200mm (2' 7 1/2" - 3' 11 1/4").

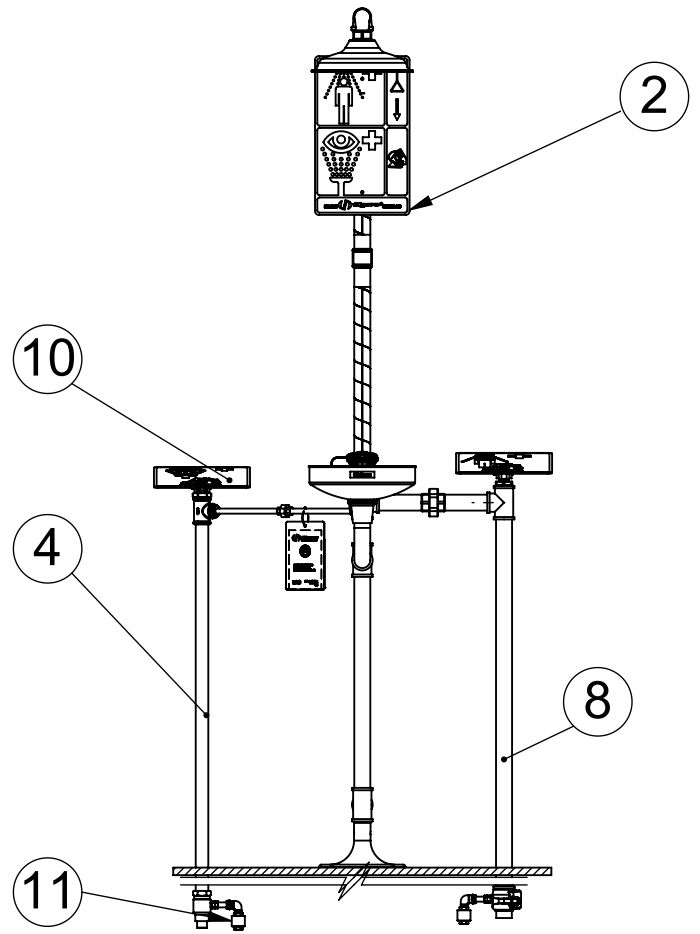
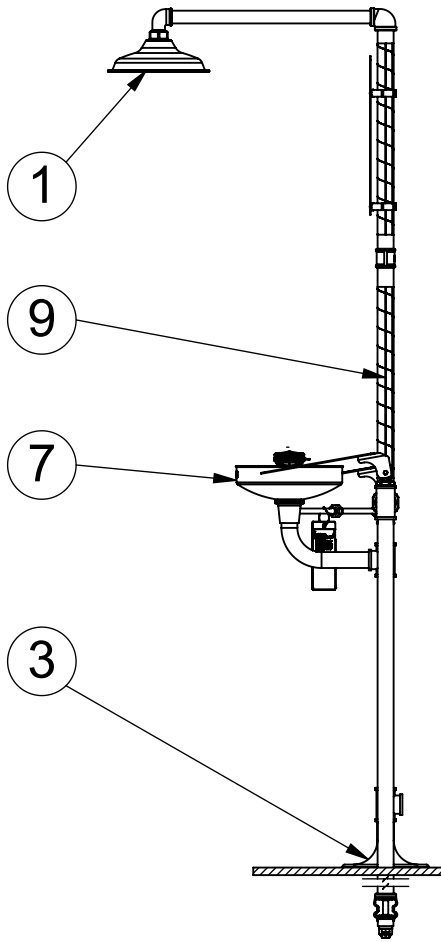
Free access to the eyewash station/body shower 8300FP Axion must be guaranteed at all times. The operator is responsible for the observance of this requirement.


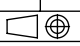
# PARTS BREAKDOWN

ITEM	PART NU.	DESCRIPTION
1	SP829	Axion shower head
2	SP178	Shower sign
3	SP75	Floor flange
4	MK8A	Freeze proof valve
5	SP65CTFP	Axion eye/face wash heads
6	SP170	Test tag
7	SP90	Bowl stainless steel
8	MK81A	Freeze proof valve
9	SP185	Stripe tape </td
10	SP218	Push plate with labels
11	SP82	Drain check valve



SP65CTFP EYE WASH ASSEMBLY



REV	DESCRIPTION	ECN NO.	DATE	BY
REVISIONS				
CATEGORY		MATERIAL		TITLE
 <p>T +41 (0)34 420 60 00 F +41 (0)34 420 60 01</p> <p>BACHWEG 3 CH3401 BURGENDORF SWITZERLAND</p> <p>www.haws.ch info@haws.ch</p>		SURFACE		WEIGHT (kg)
		APPROVALS		DATE
		MODELLED		29.05.2012
		DRAWN		29.05.2012
		REVISED		
CHECKED		bido	17.12.2019	SIZE
SCALE 1:20		 General tolerances ISO 2768-mK		DOCUMENT NO.
		SHEET 2 OF 2		0012509
THIS DOCUMENT AND THE DATA DISCLOSED HEREIN OR HEREWITH IS NOT TO BE REPRODUCED, USED, OR DISCLOSED IN WHOLE OR IN PART TO ANYONE WITHOUT THE PERMISSION OF HAWS CORPORATION.				REV.
				-