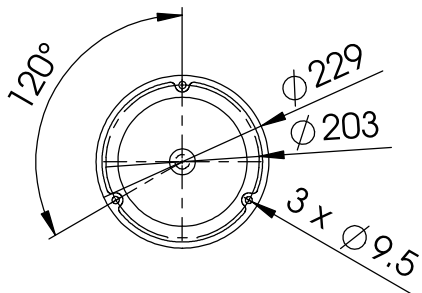


Weight: 27.6kg (60.8lbs)

THESE DIMENSIONS MAY VARY +/- 12,7mm (1/2")



FLOOR FLANGE DETAIL

**DATA SHEET**



T +41 (0)34 420 60 00  
 F +41 (0)34 420 60 01  
 BACHWEG 3  
 CH3401 BURGENDORF  
 SWITZERLAND  
 www.haws.ch  
 info@haws.ch

TITLE  
**8309WC Axion**  
 Combination Shower & Eye/Face Wash

APPROVALS	DATE
DRAWN Jeannine Ruf	14.04.2011
CHECKED Jeannine Ruf	14.04.2011
REVISED Jeannine Ruf	29.09.2011
DRAW-NO.	
ECN NO.	

MATERIAL	SIZE PART NO. <b>A4 2067461/1</b>	REV.
SCALE 1:15		SHEET 3 OF 4

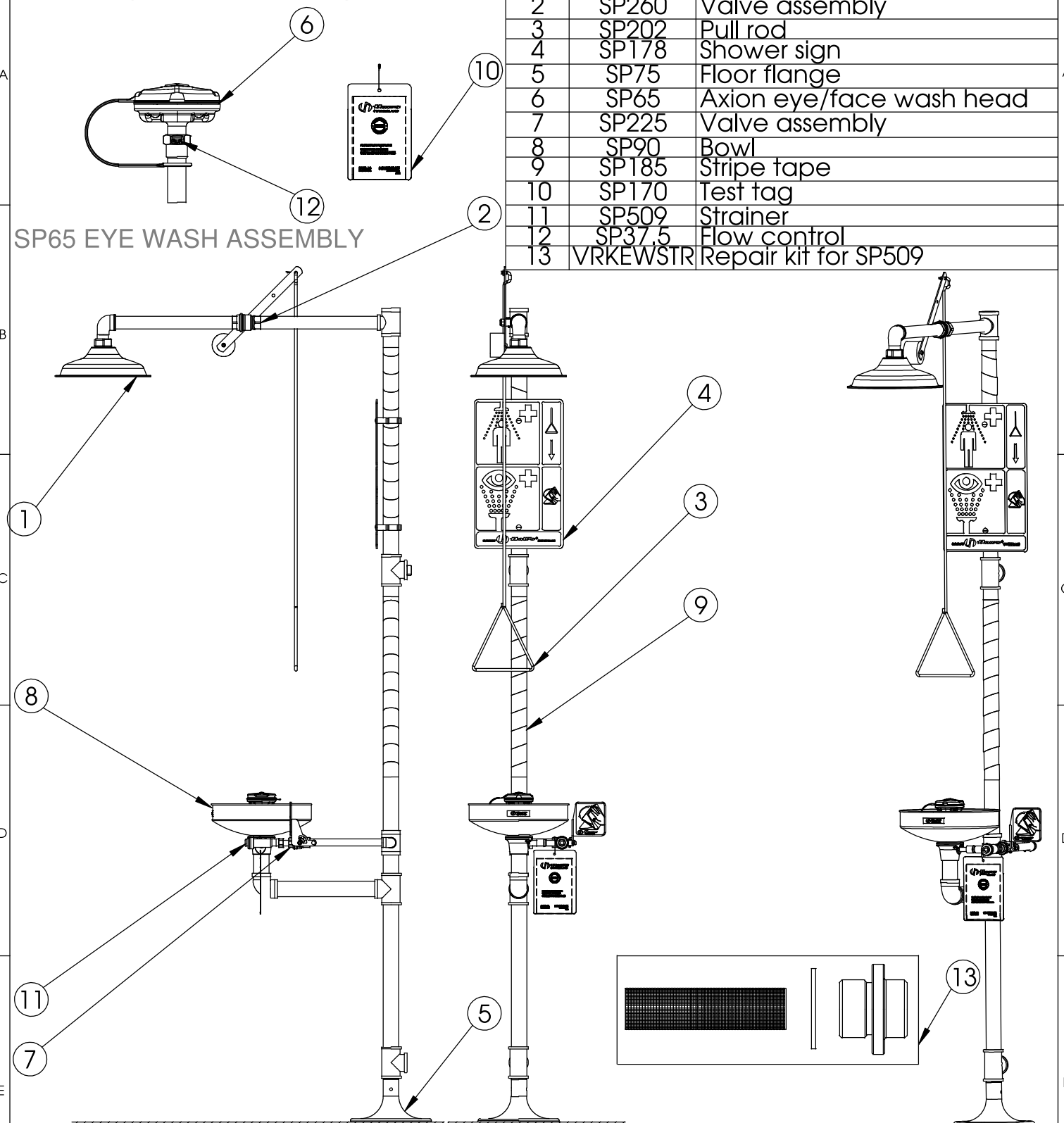
ZONE	REV	DESCRIPTION	ECN	DATE	BY
REVISIONS					

THIS DOCUMENT AND THE DATA DISCLOSED HEREIN OR HEREWITH IS NOT TO BE REPRODUCED, USED, OR DISCLOSED IN WHOLE OR IN PART TO ANYONE WITHOUT THE PERMISSION OF HAWS CORPORATION.

# PARTS BREAKDOWN

ITEM	PART NU.	DESCRIPTION
1	SP829	Axion shower head
2	SP260	Valve assembly
3	SP202	Pull rod
4	SP178	Shower sign
5	SP75	Floor flange
6	SP65	Axion eye/face wash head
7	SP225	Valve assembly
8	SP90	Bowl
9	SP185	Stripe tape </td
10	SP170	Test tag
11	SP509	Strainer
12	SP37.5	Flow control
13	VRKEWSTR	Repair kit for SP509

## SP65 EYE WASH ASSEMBLY



### PARTS BREAKDOWN

**WHEN ORDERING PARTS PLEASE SPECIFY YOUR MODEL NUMBER**



T +41 (0)34 420 60 00  
F +41 (0)34 420 60 01

BACHWEG 3  
CH3401 BURGENDORF  
SWITZERLAND

www.haws.ch  
info@haws.ch

TITLE  
8309WC Axion  
Combination Shower & Eye/Face Wash

APPROVALS	DATE
DRAWN Jeannine Ruf	14.04.2011
CHECKED Jeannine Ruf	14.04.2011
REVISED Jeannine Ruf	29.09.2011
DRAW-NO.	
ECN NO.	

MATERIAL

SIZE PART NO. **A4 2067461/1** REV.

SCALE 1:15 SHEET 4 OF 4

ZONE	REV	DESCRIPTION	ECN	DATE	BY
REVISIONS					

THIS DOCUMENT AND THE DATA DISCLOSED HEREIN OR HEREWITH IS NOT TO BE REPRODUCED, USED, OR DISCLOSED IN WHOLE OR IN PART TO ANYONE WITHOUT THE PERMISSION OF HAWS CORPORATION.