

Axion body shower (ABS) activated by pullrod

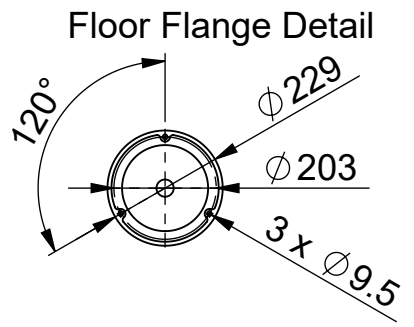
Water inlet G 1 1/4"

Hand hose activated by push flag

Axion eye/face wash with dust cover (ABS) activated by push flag

SP158B freeze protection valve

Piping in galvanized steel



Weight: 47kg (103,5lbs)

THESE DIMENSIONS MAY VARY +/- 12,7mm (1/2")

-			01.10.2014	ruje	
REV	DESCRIPTION	ECN NO.	DATE	BY	
REVISIONS					
CATEGORY	MATERIAL		TITLE		
	SURFACE		WEIGHT (kg)		
	APPROVALS		DATE		
	MODELLED		27.10.2010		
	DRAWN		27.10.2010		
	REVISED		01.10.2014		
	CHECKED		25.03.2020		
T +41 (0)34 420 60 00 F +41 (0)34 420 60 01 BACHWEG 3 CH3401 BURGENDORF SWITZERLAND www.haws.ch info@haws.ch		SPECIFICATION 8317CTFP Axion		PART NO. 10004782	
THIS DOCUMENT AND THE DATA DISCLOSED HEREIN OR HEREWITH IS NOT TO BE REPRODUCED, USED, OR DISCLOSED IN WHOLE OR IN PART TO ANYONE WITHOUT THE PERMISSION OF HAWS CORPORATION.		SCALE 1:15 General tolerances ISO 2768-mK	SIZE A4	DOCUMENT NO. 0012547	REV. -