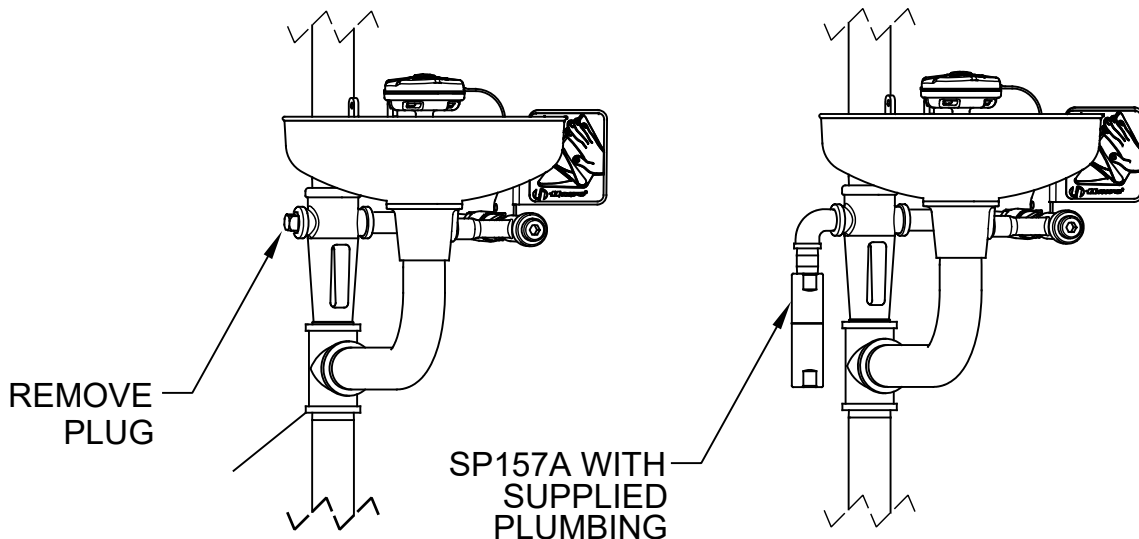
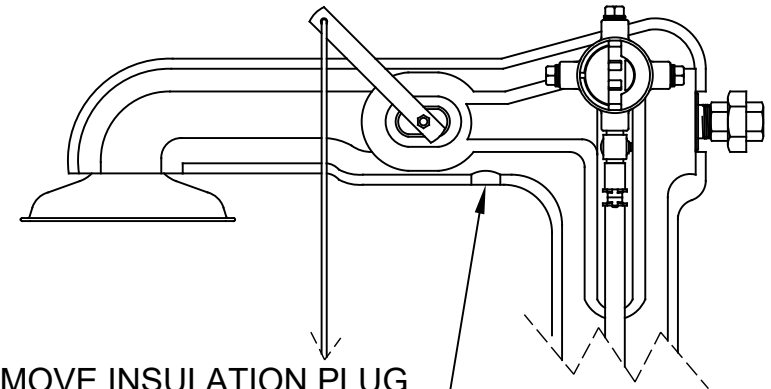


TYPICAL SHOWER EYEWASH LOOP INSTALLATION

NOTE: MODEL 8330 REQUIRES A 1-1/4" X 1/2" BUSHING (NOT SUPPLIED)



8317CTFP SCALD VALVE LOCATION



REMOVE INSULATION PLUG AND PLUMBING PLUG, AND INSTALL VALVE ONLY



1455 KLEPPE LANE
SPARKS, NEVADA 89431
(775) 359-4712 FAX (775) 359-7424
E-MAIL: HAWS@HAWSCO.COM
WEBSITE: WWW.HAWSCO.COM

ECN NO. REVISED PER BY:	MODEL(S)	PART NUMBER
ECN: 5478 JL	SP157A	0002080329.D
DRAWN: HM	DATE: 10/17/13	CHKD: DP
APPROVED: IR	DATE: 09/12/19	REVISION
	SCALE: 1:1	DRAWING TYPE: INSTALLATION
		SIZE: A SHEET 1 OF 1